

RADITEK

SATCOM

C Band LNB / DRO

Low Noise Block-Converter

C Band, PLL, DRO
Internal Reference

Input Frequency options
3.4 to 4.2 GHz.
4.5 to 4.8 GHz

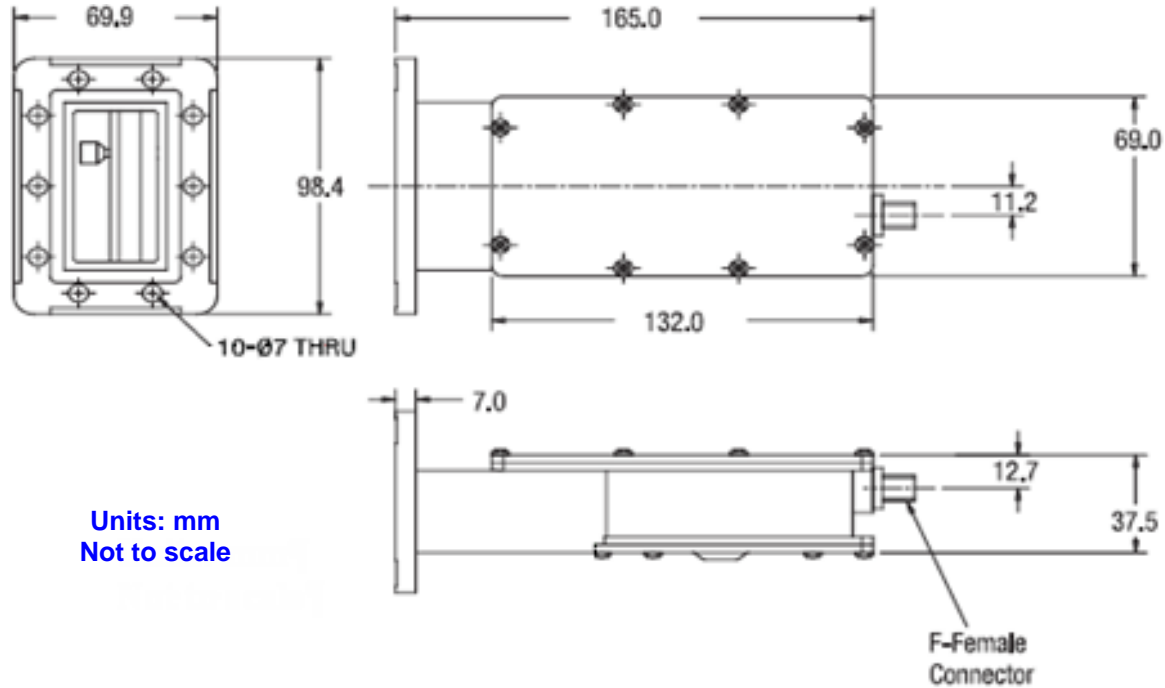


Order Examples: RLNB-C(4.5-4.8)-Nf-PLL-Nf-IR±250k-n5

Description: (LNB, C-Band 4.5-4.8GHz, N female, PLL, Internal Reference ±250KHz Stability)

Specifications	C Standard	C Insat	Units
Input Frequency:	3.4-4.2	4.5-4.8	GHz
L.O. Frequency:	5.15	5.95	GHz
Output Frequency:	950 to 1750	1150 to 1450	MHz
Noise Temperature	15 to 30		deg K
L.O. stability (over temperature excl offset)	± 150 ± 250 or ± 500KHz		
Phase noise	-65 dBc/Hz at 1kHz		
	-80 dBc/Hz at 10kHz		
	-95 dBc/Hz at 100kHz		
Input VSWR	2.0:1		
Output VSWR	2.2:1		
Conversion Gain	64		dB
Output P1dB	8		dBm
Power Requirements (Supplied through center conductor of IF cable)	+15 to +24		V
Current drain	130		mA
Connectors	Type N f/m – 50 Ohm		
	Type F f/m – 75 Ohm		
Input Waveguide	CPR 229G		
Dimensions	180(L) x 100 (W) x 70 (H) mm 7.1 x 4.0 x 2.8 in		
Weight	425g/ 15 oz		
Temperature Range	-40 to + 60°C		

Low Noise Block-Converter, C Band, PLL/DRO-Internal Reference



Units: mm
Not to scale

Tolerance Table Metric (inch)

(unless otherwise stated):

Hole diameter $\pm 0.1\text{mm}$, ($\pm 0.004\text{''}$)

Dimensions (w*h) $\pm 0.3\text{ mm}$, ($\pm 0.015\text{''}$)

Dimensions (Coax Connector position) $\pm 0.3\text{mm}$, ($\pm 0.012\text{''}$)

Waveguide Slot Position, $\pm 0.1\text{mm}$, ($\pm 0.004\text{''}$)

Dimensions (hole position) $\pm 0.1\text{mm}$, ($\pm 0.004\text{''}$)

Machined surfaces

Flatness 0.025/mm , (0.001/ inch)

Bend radius 0.8mm , (0.031'' or $1/32\text{''}$)