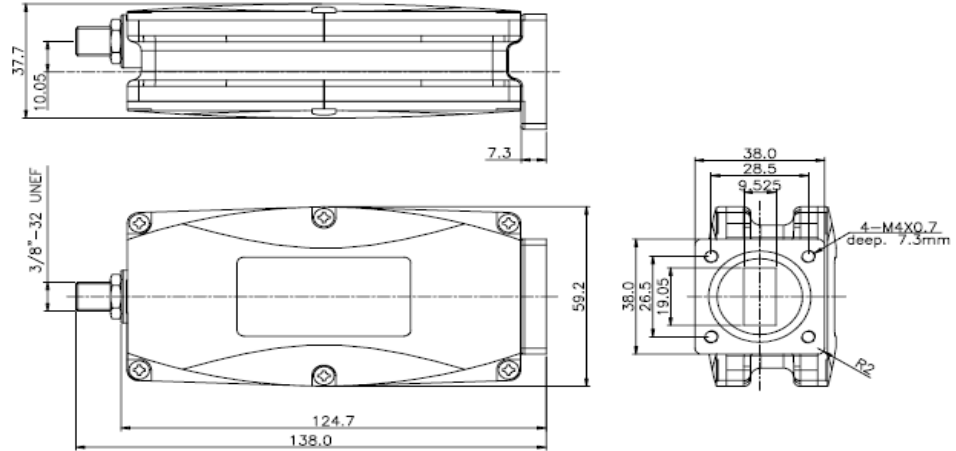


RADITEK

SATCOM Ku Band LNB / PLL

Low Noise Block Converter, 10.95-12.75 GHz, Ku Band F-Type Female Connectors, PLL



Unit: mm

Specifications	Ku Extended-IR	Ku Extended-ER	Ku Standard-ER	Units
Input Frequency Range	10.95-11.7	10.95-11.7	12.25-12.75	GHz
Output Frequency Range	950-1700	950-1700	950-1450	MHz
Local Oscillator Frequency	10	10	11.3	GHz
Input Waveguide Flange	WR-75	WR-75	WR-75	
Conversion Gain	50-60	50-60	50-60	dB
Gain Variation Over Temperature	±2	±2	±2	dB
Gain Flatness Over				
(50 MHz)	±1	±1	±1	dB
(750 MHz)	±2	±2	±2	dB
Noise Figure	0.7 (typ)	0.7 (typ) / 1.0 (max)	0.7	dB
Output Power (at 1dB Gain Compression Point)	0	0	0	dBm (min)
Phase Noise	Meet IESS 308/309	-60 dBc/Hz @ 100Hz	Meet IESS 308/309	
	---	-70 dBc/Hz @ 1KHz	---	
	---	-80 dBc/Hz @ 10KHz	---	
	---	-90 dBc/Hz@100KHz	---	
Reference Requirement	---	10MHz	10MHz	
Frequency Power Level	---	-5 ± 5 dBm	-5 ± 5 dBm	
Local Stability	±2.5	----	---	ppm
Output V.S.W.R	2:1	2:1	2:1	
Output Connector	F-Typ, Female (75Ω)	F-Typ, Female (75Ω)	F-Typ, Female (75Ω)	
D.C Supply Voltage	15-20	15-20	15-20	V
D.C Current Consumption (max)	200	200	200	mA
Operating Temperature	-40 to +55	-40 to +55	-40 to +55	°C
Weight (max)	400	400	400	grams