

## C-Band Block Up Converter

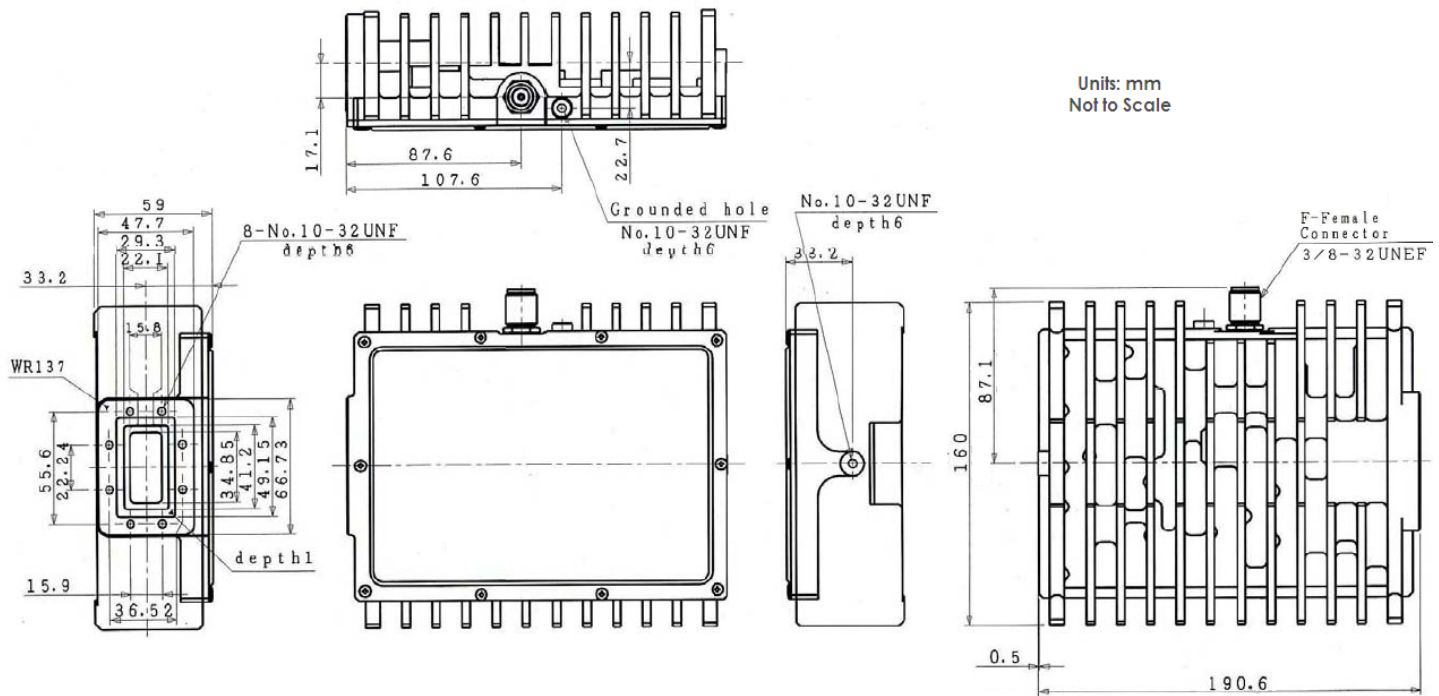
code-j6

**RF Frequency 5.850-6.425 GHz, IF Frequency 950-1525 MHz, WR137 Flange, F-Type Female Connectors, Output Power 5 Watts**

### RBUC-C-WR137-F(f)-5W-j6

**Features:**

- ❖ Small and Light Weight
- ❖ High Efficiency Output Power  
(5W minimum @P1dB Over Temperature)
- ❖ Low Power Consumption
- ❖ RoHS Compliant



**→ Order Examples: RBUC-C-WR137-F(f)-5W-j6**

**Description:** ((C-Band Block Up Converter, RF Frequency 5.850-6.425 GHz, IF Frequency 950-1525 MHz, WR137 Flange, F-Type Female Connectors, Output Power 5 Watts))

**RBUC-C-WR137-F (f)-5W-j6**

**Specifications may be subject to change**

**08/18/09**

WORLD HQ: 1702L Meridian Ave. Suite 127, San Jose, Ca 95125, U.S.A.

Telephone: (408) 266-7404 FAX: (408) 266-4483

WEB: [www.raditek.com](http://www.raditek.com) , E-mail: [sales@raditek.com](mailto:sales@raditek.com)

## C-Band Block Up Converter

code-j6

**RF Frequency 5.850-6.425 GHz, IF Frequency 950-1525 MHz, WR137 Flange,  
F-Type Female Connectors, Output Power 5 Watts**

### RBUC-C-WR137-F(f)-5W-j6

#### ELECTRICAL SPECIFICATIONS

Output Frequency Range	5.850 to 6.425 GHz
Input Frequency Range	950 to 1,525 MHz
Conversion Type	Single, fixed L.O.
L.O. Frequency	4.90 GHz
Frequency Sense	Positive
Output Power @ 1dB G.C.P.	+37 dBm min. over temp.
Linear Gain	61 dB nominal
Gain Variation over frequency @ fixed temperature	5.5 dBp-p max. over 575 MHz 2 dBp-p max. over 36 MHz
Gain Stability over temperature @ fixed frequency	5 dBp-p max.
Requirement for External Reference	[Frequency] 10 MHz (sine-wave) [Input Power] -5 to +5 dBm @ Input port [Phase Noise] -120 dBc/Hz max. @ 100 Hz -130 dBc/Hz max. @ 1 kHz -140 dBc/Hz max. @ 10 kHz -150 dBc/Hz max. @ 100 kHz
L.O. Phase Noise	-60 dBc/Hz max. @ 100 Hz -70 dBc/Hz max. @ 1 kHz -80 dBc/Hz max. @ 10 kHz -90 dBc/Hz max. @ 100 kHz
Spurious	[In-band] -50 dBc max. @ 5.850 to 6.425 GHz [Receive band] -70 dBm max. @ 3.625 to 4.200 GHz
Receive Band Noise Power	-87 dBm/4kHz max. @ 3.625 to 4.200 GHz
Input Impedance	50 ohms nom [Model No. NJT5669] 75 ohms nom [Model No. NJT5669F]
Input V.S.W.R.	2 : 1 max.
Output V.S.W.R.	2 : 1 max.
Output Load VSWR for Non Damage	Infinite : 1
DC Power Requirement	+15 to +30 VDC 55 W max.
Mute	Shut off the HPA in case of L.O. unlocked

## C-Band Block Up Converter

code-j6

**RF Frequency 5.850-6.425 GHz, IF Frequency 950-1525 MHz, WR137 Flange,  
F-Type Female Connectors, Output Power 5 Watts**

### RBUC-C-WR137-F(f)-5W-j6

#### MECHANICAL SPECIFICATIONS

Input Interface	N-type, female F-type, female
Output Interface	Waveguide, CPR137-G (Grooved) with Flange
Dimension & Housing	N-type, female 190.6 mm (L) x 167.1 mm (W) x 59 mm (H) [7.50" (L) x 6.58" (W) x 2.32" (H)] F-type, female 190.6 mm (L) x 162 mm (W) x 59 mm (H) [7.50" (L) x 6.38" (W) x 2.32" (H)]
Weight	2.54 kg max. [5.6 lbs]
Vibration	5 G (3 axis, 50 Hz to 2 kHz) 1 mm p-p (3 axis, 5 to 50 Hz)
Shock	30 G (3 axis)

#### ENVIRONMENTAL SPECIFICATIONS

Temperature Range (ambient)	-40 to +55 C (operating) -40 to +75 C (storage)
Humidity	0 to 100 %
Altitude	15,000 feet
Comply with RoHS (Restricting the use of Hazardous Substance) directives	