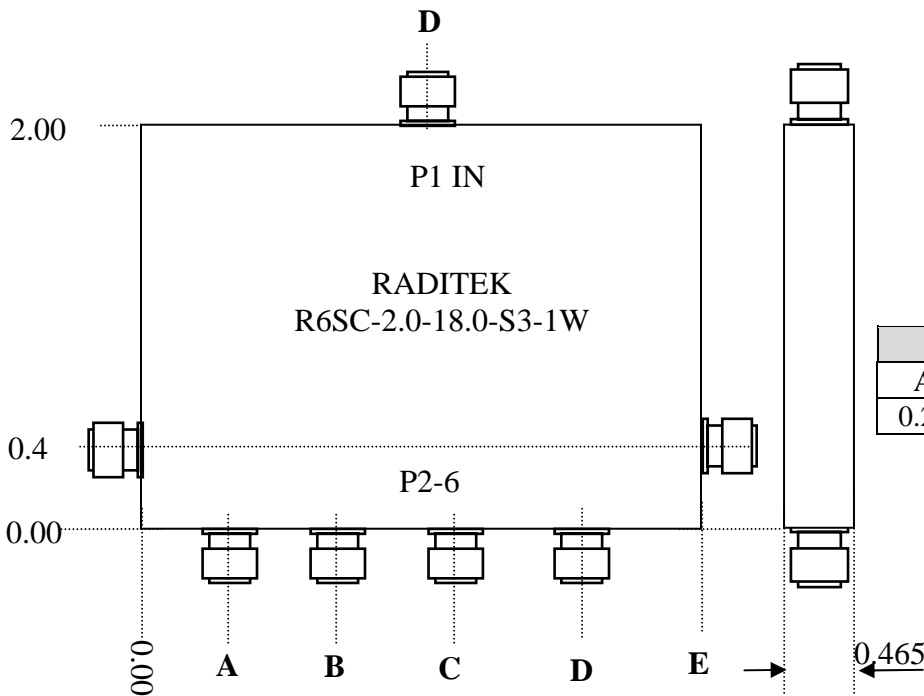


RADITEK INC.

6-Way Splitter Combiner 2.0-18.0 GHz, Full Bandwidth

code -L



Connector Options			
Port 1	Port 2-6		Delivery
female	male	1	special
male	female	2	special
female	female	3	standard
male	male	4	special

Dimensions					
A	B	C	D	E	F
0.25	1.25	2.25	3.25	3.5	1.75

SX-(SMA connectors, see table)

NX (N-type connectors to 6 GHz Available with larger housing)

Order Examples: R6SC-2.0-18.0-S3-1W

Description: (6-Way Splitter Combiner, 2.0-18.0 GHz, SMA Female Connectors, 1 Watt)

Specifications	Bandwidth Full		
Frequency:	2.0-18.0		GHz
	2.0-8.0	8.0-18.0	
Insertion loss	(7.78) + 1.2	(7.78) + 1.4	dB max (Theoretical) + device
Isolation	22		dB
VSWR	1.65		:1
Amplitude balance	<± 0.4		dB
Phase balance	<+4°		
Connector	SMA or N		
Operating Temperature	-10 to 55		°C
Storage Temperature	-50 to 125		°C
Power	1		Watt

R6SC-2.0-18.0G-Sx-1W Full Bw-L

Specifications may be subject to change

01/15/07

WORLD HQ: 1702H Meridian Ave. Suite 127, San Jose, Ca 95125, U.S.A.

Telephone: (408) 266-7404 FAX: (408) 266-4483

WEB: www.raditek.com, E-mail: sales@raditek.com