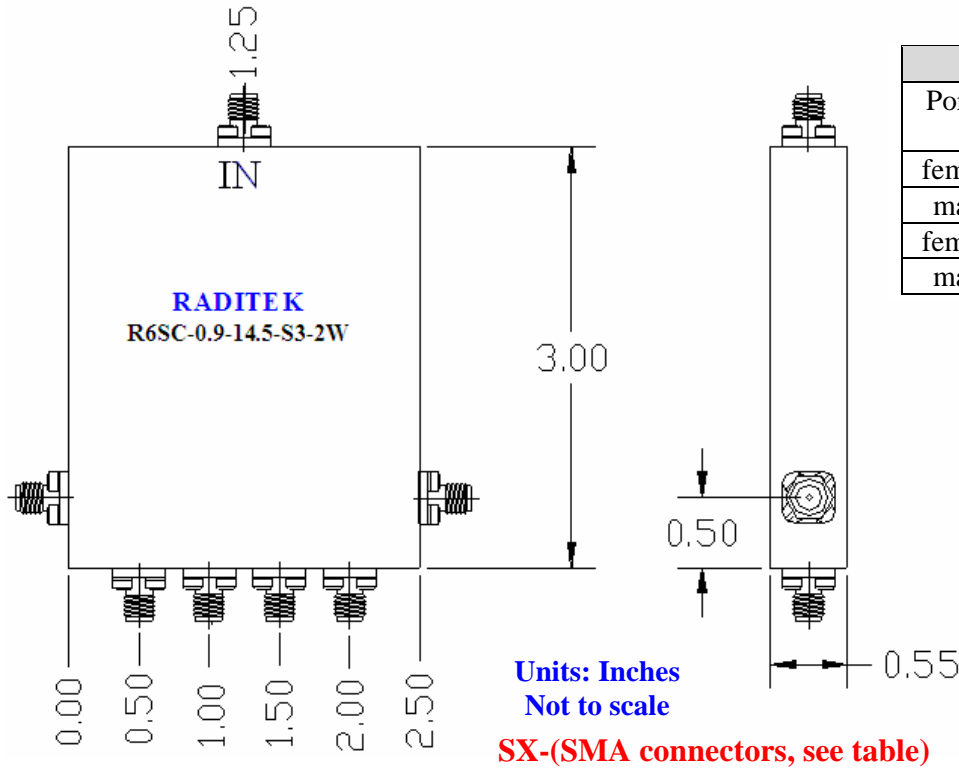


RADITEK INC.

6-Way Splitter Combiner 900 MHz to 14.5 GHz, Full Bandwidth

code -L



SMA Connector Options			
Port 1	Port 2-6		Delivery
female	male	1	special
male	female	2	special
female	female	3	standard
male	male	4	special

Order Examples: R6SC-0.9-14.5-S3-2W

Description: (6-Way Splitter Combiner, 0.9-14.5 GHz, SMA Female Connectors, 2 Watts)

Specifications		Units
Frequency:	0.9-14.5	GHz
Insertion loss	(7.78) + 1.2	dB max (Theoretical) + device
Isolation	18	dB
VSWR	1.25	:1
Amplitude balance	<± 1	dB
Phase balance	<±3°	
Connector	SMA	
Operating Temperature	-10 to 55	°C
Storage Temperature	-50 to 125	°C
Power	2	Watts

R6SC-0.9-14.5-S3-2W-L

Specifications may be subject to change

01/15/07

WORLD HQ: 1702H Meridian Ave. Suite 127, San Jose, Ca 95125, U.S.A.

Telephone: (408) 266-7404 FAX: (408) 266-4483

WEB: www.raditek.com, E-mail: sales@raditek.com