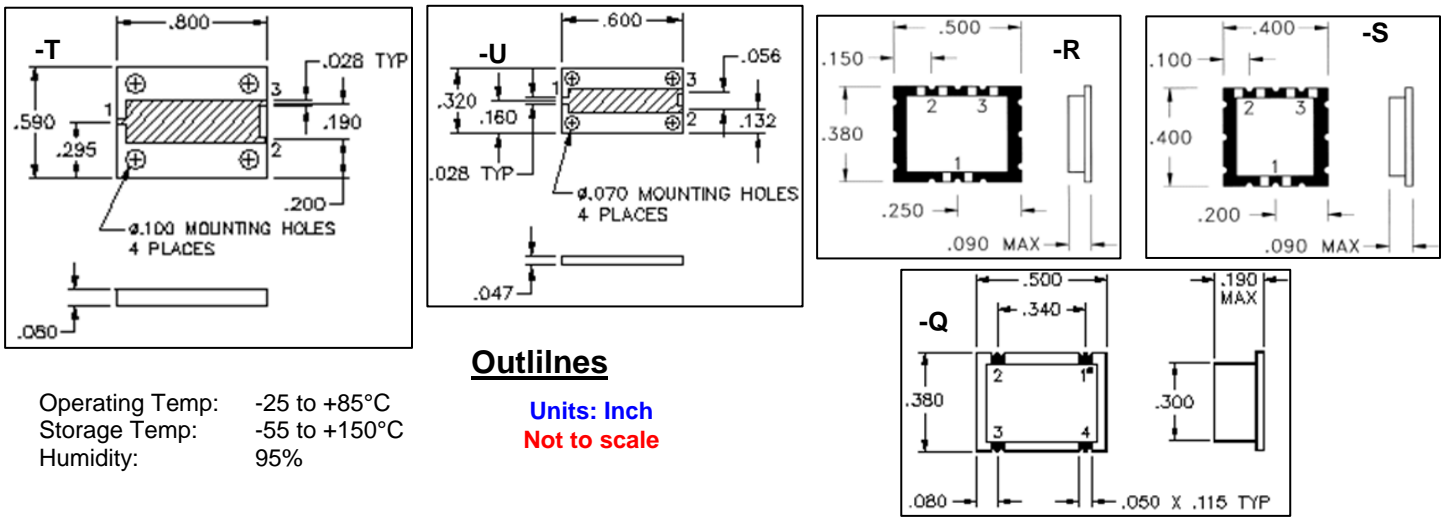


2-Way Splitter Combiner, 0.8-10GHz, Split Bands 1-10 Watts, Drop-In or Surface Mount



Outlines

Units: Inch
Not to scale

Operating Temp: -25 to +85°C
Storage Temp: -55 to +150°C
Humidity: 95%

Part Number Prefix	Frequency Range (GHz)	Insertion Loss (dB) max.	Isolation (dB) min.	Amplitude Balance (dB) max.	Phase Balance (Deg) max.	VSWR max.	Power (watts) max. ¹	Available Outlines
R2SC	0.8-1.0	0.5	20	0.2	2.0°	1.40:1	1.0	-R
R2SC	1.7-2.0	0.5	20	0.2	2.0°	1.40:1	1.0	-S
R2SC	2.2-2.5	0.6	18	0.3	3.0°	1.40:1	1.0	-S
R2SC	2.0-4.0	0.4	20	0.3	3.0°	1.40:1	1.0	-T
R2SC	4.0-8.0	0.4	20	0.3	3.0°	1.50:1	1.0	-U
R2SC	4.0-8.0	0.4	20	0.3	3.0°	1.40:1	1.0	-T
R2SC	3.0-10.0	0.5	18	0.3	4.0°	1.50:1	1.0	-T
R2SC	5.0-10.0	0.4	20	0.3	4.0°	1.50:1	1.0	-U
Higher Power (Input 10 watts max.)								
R2SC	0.8-1.0	0.6	18	0.2	2.0°	1.40:1	10.0	-Q
R2SC	1.3-1.6	0.7	18	0.2	2.0°	1.40:1	10.0	-Q
R2SC	1.7-2.0	0.7	18	0.2	2.0°	1.40:1	10.0	-Q
R2SC	2.3-2.7	0.7	18	0.3	3.0°	1.40:1	10.0	-Q
R2SC	2.7-2.9	0.7	18	0.3	3.0°	1.40:1	10.0	-Q
R2SC	3.0-3.8	0.8	18	0.3	3.0°	1.40:1	10.0	-Q

Order Examples: R2SC-0.8-1.0-1W-R-2

Description: (2-Way Splitter Combiner, 0.3-60 MHz, 1 Watt, Outline -R)

Port Configuration			
Outline	Input	Output	Ground
-Q	1	2, 3	4
-T	1	2, 3	Case
-U	1	2, 3	Case
-R, -S	1	2, 3	

Custom frequency bands and optimized specifications available

Notes:

¹For Load VSWR better than 1.2:1.

R2SC-0.8-10GHZ-1-10Watts Family-r2

Specifications may be subject to change

11/17/10

WORLD HQ: 1702L Meridian Ave. Suite 127, San Jose, Ca 95125, U.S.A.

Tel: (408) 266-7404

FAX: (408) 266-4483

WEB: www.raditek.com

E-mail: sales@raditek.com