

ROHS Compliant

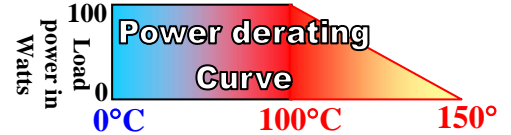
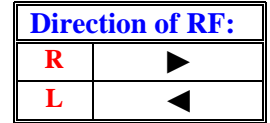
RADITEK INC.

UMTS / PSC / DCS

RI, RC-TW-d / kd-U-Stripline-Models
700MHz-2.0GHz 10% Bandwidth

RADITEK
RADITEK

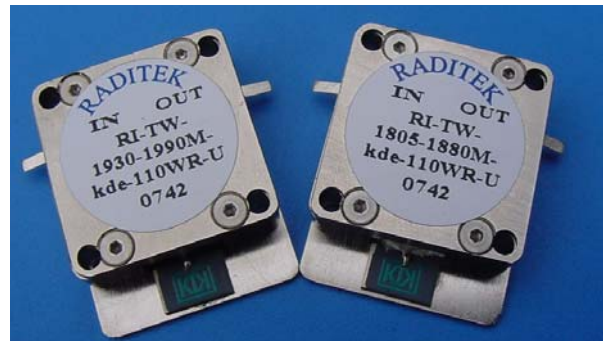
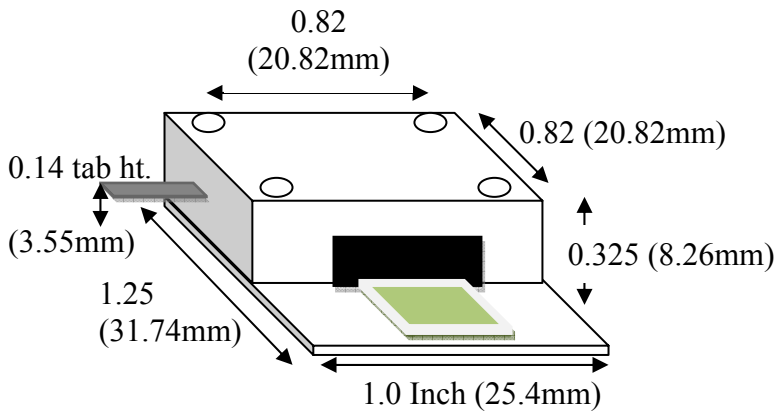
-U Ultra low IMD option
-85dBc (-90dBc typical)
at 2 x 30W power



Order Examples:

RI-TW-915-975M-de-100WR-A30-U 100W Attenuator version
 RI-TW-1930-1990M-kde-110WR-U 110W Load version

Raditek leads with IMD performance. Using only the highest performance components, and careful, minimum cost design, RADITEK is redefining the previous cost performance baseline. Meeting amazing 90dBc IMD (typical) with 2 x 30W tones. This model is a drop-in, equivalent sized part to the well known Raditek “de” family of parts.



Mounting holes are 0.075 inch Ø (1.9mm), 90mil (2.3mm) in from the edge.
 Units: inch (mm) Base plate is 1mm thick. Unit meets all ROHS standards
 Constructed from CRS1018 or equivalent (steel), Nickel plated per AMS-2404, 0.0003-0.0004 inch thick.

Specifications		1805-1880	1930-1990	Units
Insertion loss	S21	0.25	0.25	< /=dB Max
Isolation	S12	25	25	> /=dB Min
Input Return Loss	S11	23	23	< /=dB Min
Output return Loss	S22	23	23	< /=dB Min
IMD	2 x 30W tones	85	85	< /=dBc
IMD Typical	2 x 30W tones	90	90	< /=dBc
Reverse power rating		110	110	Watts
100W, 20dB and 30dB attenuator loads also available				
Over Temp Range:		-20 to +85	-20 to +85	°C

RI, RC-TW-models

Specifications may be subject to change

08/05/08

WORLD HQ: 1702L Meridian Ave. Suite 127, San Jose, Ca 95125, U.S.A.

Telephone: (408) 266-7404 FAX: (408) 266-4483

WEB: www.raditek.com , E-mail: sales@raditek.com

DE Parts

Freq	Bandwidth	Insertion Loss	Isolation	Return Loss	VSWR	model	IMD on -U option
790-910	120M	0.4	21	20		de	Too wide Band -52 (-54 typical) dbc @ 2 x 50W tones
850-904	54M	0.4	18	17	1.32	de	-76dbc @ 2 x 50W tones
869-894	25M	0.25	23	22	1.17	de	-76dbc @ 2 x 50W tones
915-975	60M	0.25	22	20.8	1.2	de	-70dbc @ 2 x 100W tones
KDE							
1805-1880	75M	0.25	25	23		kde	-85dbc @ 2 x 30W tones
1930-1990	60M	0.25	25	23		kde	-85dbc @ 2 x 30W tones

KD* parts are identical externally with the D* parts, internal dimensions are different