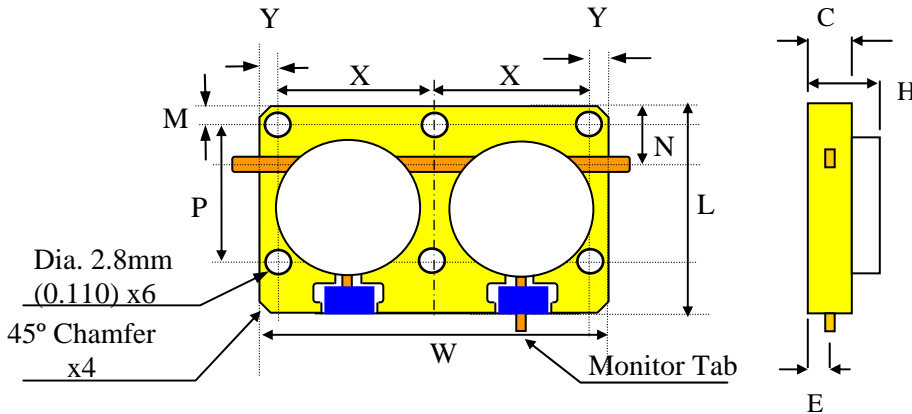


## Dual Junction Stripline HE, 850M to 1990 MHz

RADITEK

### Isolators and Circulators

**Performance is guaranteed over Temperature, Minimum Insertion Loss, and Highest Isolation.**



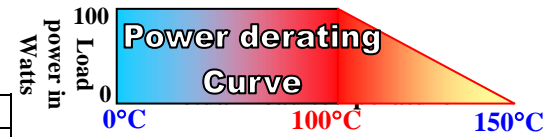
ID:	Inches	(mm)	
<b>W</b>	2.169	55.1	
<b>L</b>	1.252	31.75	
<b>N</b>	0.299	7.6	
<b>X</b>	0.966	25.3	
<b>P</b>	0.819	20.8	
<b>M</b>	0.091	2.25	
<b>Y</b>	0.091	2.3	
<b>C</b>	>0.04<0.31	6.0	tba
<b>H</b>	<0.26	6.3	
<b>E</b>	0.150	3.3	Tab ht

Design based on Y10-0013 per Y45-0039

Examples of models, order exact frequency requirement:

Freq. MHz	S I Z E	Insertion Loss Max. dB	Isolation Min. dB	RL dB
850-870	H	0.5	40	20
869-894	H	0.5	40	20
925-960	H	0.5	40	20
880-960	H	0.5	40	20

Direction of RF:	
<b>R</b>	default →
<b>L</b>	←



Order Examples: **RCI-869-894M-HE-110WR**

Description: (Circulator-Isolator, 869-894MHz, HE model, 110 Watts, Clockwise Rotation)

See Page 2 for Additional Ordering Information

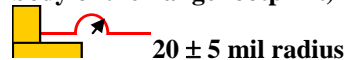
Specifications of beryllium copper TABS:				
Type	Length	Width	Thickness	Units
HE	0.098	0.024	<b>0.004</b>	inches
Tol.	<b>±0.008</b>	±0.005	±0.001	

General specifications (designed to meet, but not individually tested to):		
Max. Fwd power:	200 Watts	<b>peak power up to 1Kwatts</b>
Max. Rev (load) power:	110 Watts	Assumes infinite heat sink Load temp to be kept < 85°C
Operating temp.	-10 to +85°C	
Storage temp.	-40 to +110°C	

Machined surface:  $\sqrt[63]{}$ , Flatness: 0.001 inch  
 All units are in inches. Tolerance: 0.XX ±0.01, 0.XXX ±0.005 unless otherwise marked.  
 Steel / Aluminum Construction, Magnetically shielded  
 Silver / Nickel-plated.

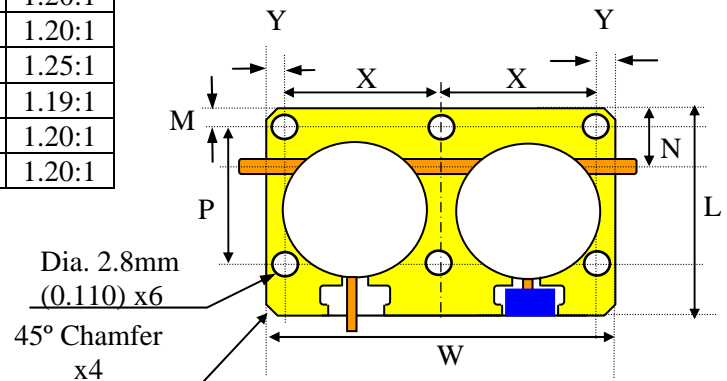
**Standard semi circular strain relief in each lead.**

Port 1 and 2 (contained within the body of the flange footprint)



Freq. MHz	BW %	SIZ E	Insertion Loss Max. dB	Isolation Min. dB	RL dB	VSWR
810-915		H	0.7	38	18	1.30:1
825-880		H	0.6	42	21	1.19:1
850-870		H	0.5	44	21	1.19:1
851-866		H	0.5	44	21	1.19:1
869-894	2.8	H	0.5	44	21	1.19:1
880-960		H	0.6	42	21	1.19:1
935-960		H	0.5	44	20	1.20:1
920-960		H	0.6	45	20	1.20:1
1000-1200		H	1.0	40	19.1	1.25:1
1501-1516		H	0.4	45	21	1.19:1
1805-1880		H	0.6	45	20	1.20:1
1930-1990		H	0.6	45	20	1.20:1

**Order Examples: RCI-869-894M-HE-110WR**  
**Description: (Circulator-Isolator, 869-894MHz, HE model, 110 Watts, Clockwise Rotation)**



**Load Option**

**If one load option is shown**

i.e., 110w (load) or 100w-A20 attenuator, will be on both Isolator load ports

**If two load options shown (RII model only)**

i.e., 100W-A-20// 110W  
 Fit 100W-A20 Attenuator on Left  
 And 110W Load on Right

**Direction**

If one option shown  
 i.e., R clockwise make both units clockwise  
 If two options shown  
 i.e., 110WR//110WL, makes **left** unit **clockwise**  
 and **right** unit **counter clockwise**

<b>RII</b>	<b>Isolator / Isolator</b>
<b>RIC</b>	<b>Isolator / Circulator</b>
<b>RCI</b>	<b>Circulator / Isolator (Shown above)</b>
<b>RCC</b>	<b>Circulator / Circulator</b>