

## Dual Stripline, FD, 1.7 to 3.3 GHz Isolators and Circulators

**Performance is guaranteed over Temperature, Minimum Insertion Loss, and Highest Isolation.**

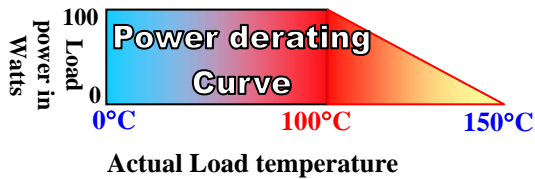
ID (foot print)	Overall Height H (max)	Tab height ±0.1	Hole dia. ±0.004 4 places	Flange	
FD	7.6 (0.3)	3 (0.12)	2.8 (0.11)	5.1 (0.2)	mm (ins)

Examples of models, order exact frequency requirement:

Freq. MHz	B W %	S I Z E	Insertion Loss Max. dB	Isolation Min. dB	RL dB	VSWR
1805-1880		FD	0.5*	40	21	1.20:1
1903-1990		FD	0.5*	40	21	1.20:1

\*0.6dB Over Temperature

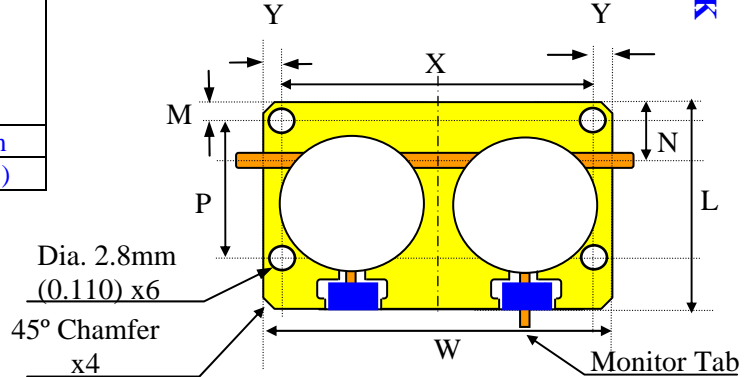
**Order Examples: RII-1805-1880M-FD-110WR**  
**Description: (Isolator- Isolator, 1805-1880MHz, FD model, 110 Watts, Clockwise Rotation)**  
[See Page 2 for Additional Ordering Information](#)



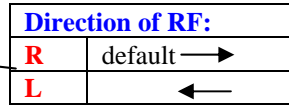
General specifications (designed to meet, but not individually tested to):		
Max. Fwd power:	100 Watts	<b>peak power up to 1Kwatts</b>
Max. Rev (load) power:	100 / 110 Watts	Assumes infinite heat sink Load temp to be kept < 85°C
Operating temp.	-40 to 80°C	
Storage temp.	-10 to 90°C	

**Specification Options:**

High intermod. Perf.*	68 dBc min	-H	each 2 carriers, each at 50 W
Third Order Intercept Point	84 dBm		
Output Spurious	-36 dBm		I/P Power 0-35 W CW



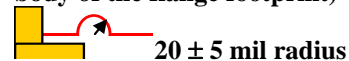
ID: Foot print	Inch	mm
W	1.50	(38.1)
L	1.0	(25.4 ± 0.2)
N	0.25	(6.35)
X	1.32	(33.5 ± 0.15)
P	0.57	(14.5 ± 0.15)
M	0.09	(2.3 ± 0.2)
Y	0.09	(2.3 ± 0.2)

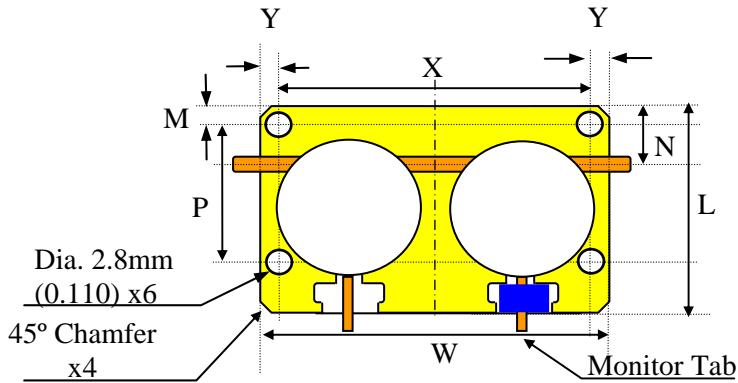


Specifications of beryllium copper TABS: (inches)				
Type	Length	Width	Thickness	Units
FD	0.10	0.050	0.005	inches
Tol.	±0.008	±0.005	±0.001	

Machined surface:  $\sqrt[63]{}$ , Flatness: 0.001 inch  
 All units are in inches. Tolerance: 0.XX ±0.01, 0.XXX ±0.005 unless otherwise marked.  
 Steel / Aluminum Construction, Magnetically shielded  
 Silver / Nickel-plated.

**Standard semi circular strain relief in each lead.**  
**Port 1 and 2 (contained within the body of the flange footprint)**





**Example: RCI-SS-1805-1880M-FD-110WR**

<b>RII</b>	<b>Isolator / Isolator</b>
<b>RIC</b>	<b>Isolator / Circulator</b>
<b>RCI</b>	<b>Circulator / Isolator (Shown above)</b>
<b>RCC</b>	<b>Circulator / Circulator</b>

**Load Option**

**If one load option is shown**

i.e., 110w (load) or 100w-A20 attenuator, will be on both Isolator load ports

**If two load options shown (RII model only)**

i.e., 100W-A-20// 110W  
 Fit 100W-A20 Attenuator on Left  
 And 110W Load on Right

**Direction**

If one option shown  
 i.e., R clockwise make both units clockwise  
 If two options shown  
 i.e., 110WR//110WL, makes **left** unit **clockwise**  
 and **right** unit **counter clockwise**