

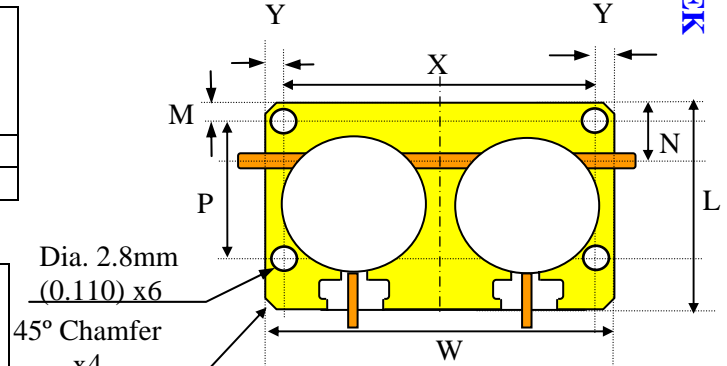
## Dual Stripline, FC, 1.7 to 3.3 GHz 100W Circulators or 10W Isolators:

**Performance is guaranteed over Temperature, Minimum Insertion Loss, and Highest Isolation.**

ID (foot print)	Overall Height H (max)	Tab height ±0.1	Hole dia. ±0.004 4 places	Flange	
FC	5.1	3	2.8	5.1	mm
	(0.2)	(0.12)	(0.11)	(0.2)	(ins)

Examples of models, order exact frequency requirement:

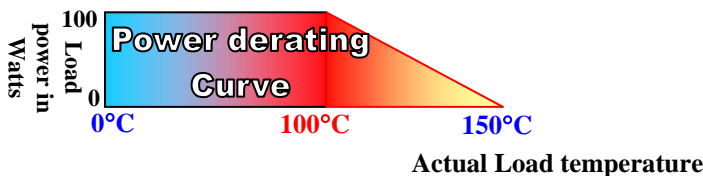
Freq. MHz	BW %	SIZE	Insertion Loss Max. dB	Isolation Min. dB	RL dB	VSWR
1805-1880		FC	0.5	40	20	1.20:1
1903-1990		FC	0.5	40	20	1.20:1
2.3-2.5		FC	0.6	46	20	1.20:1
2.5-2.7		FC	0.6	40	20	1.20:1
2.3-2.7		FC	0.8	40	18	1.25:1
2900-3300		FC	1.1	36	18	1.27:1



ID: Foot print	Inch	mm
W	1.50	(38.1)
L	0.75	(19.05 ± 0.2)
N	0.25	(6.35)
X	1.32	(33.5 ± 0.15)
P	0.57	(14.48 ± 0.15)
M	0.09	(2.3 ± 0.2)
Y	0.09	(2.3 ± 0.2)

**Order Examples: RCC-1805-1880M-FC-100WR**  
**Description: (Circulator- Circulator, 1805-1880MHz, FC model, 100 Watts, Clockwise Rotation)**  
[See Page 2 for Additional Ordering Information](#)

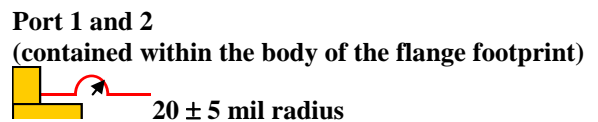
Direction of RF:	
R	default →
L	←



Specifications of beryllium copper TABS: (inches)				
Type	Length	Width	Thickness	Units
FC	0.10	0.050	0.005	inches
Tol.	±0.008	±0.005	±0.001	

Machined surface:  $\sqrt[63]{}$ , Flatness: 0.001 inch  
 All units are in inches. Tolerance: 0.XX ±0.01, 0.XXX ±0.005 unless otherwise marked.  
 Steel / Aluminum Construction, Magnetically shielded Silver / Nickel-plated.

**Standard Semi Circular Strain Relief in Each Lead on Units Below 1900 MHz**



General specifications (designed to meet, but not individually tested to):		
Max. Fwd power:	100 Watts	<b>peak power up to 1.0 Kwatts</b>
Max. Rev (load) power:	See size Table 100W	Assumes infinite heat sink Load temp to be kept < 85°C
Operating temp.	-20 to +85°C	
Storage temp.	-40 to +90°C	

Specification Options:			
High intermod. Perf.*	65 dBc min	-H	<b>each 2 carriers each at 50 W</b>
Third Order Intercept Point	84 dBm		

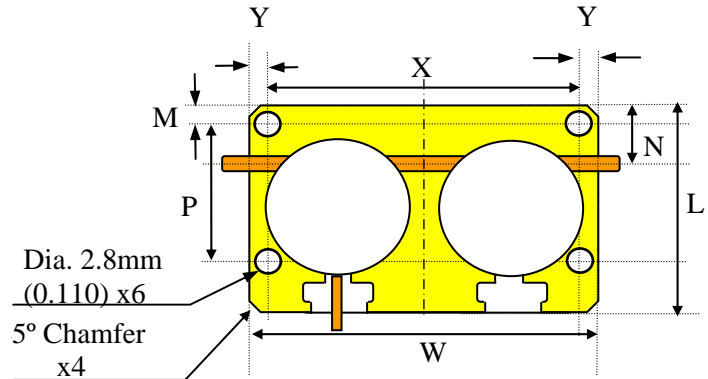
**ROHS Compliant**

# RADITEK INC.

RII	Isolator / Isolator
RIC	Isolator / Circulator
RCI	Circulator / Isolator (Shown above)
RCC	Circulator / Circulator

☛ **Order Examples: RCI-1805-1880M-FC-100WR**

**Description: (Circulator- Isolator, 1805-1880MHz, FC model, 100 Watts, Clockwise Rotation)**



### Direction

If one option shown

ie., R clockwise make both units clockwise

If two options shown

ie., 100WR//10WL, makes **left** unit **clockwise**  
and **right** unit **counter clockwise**