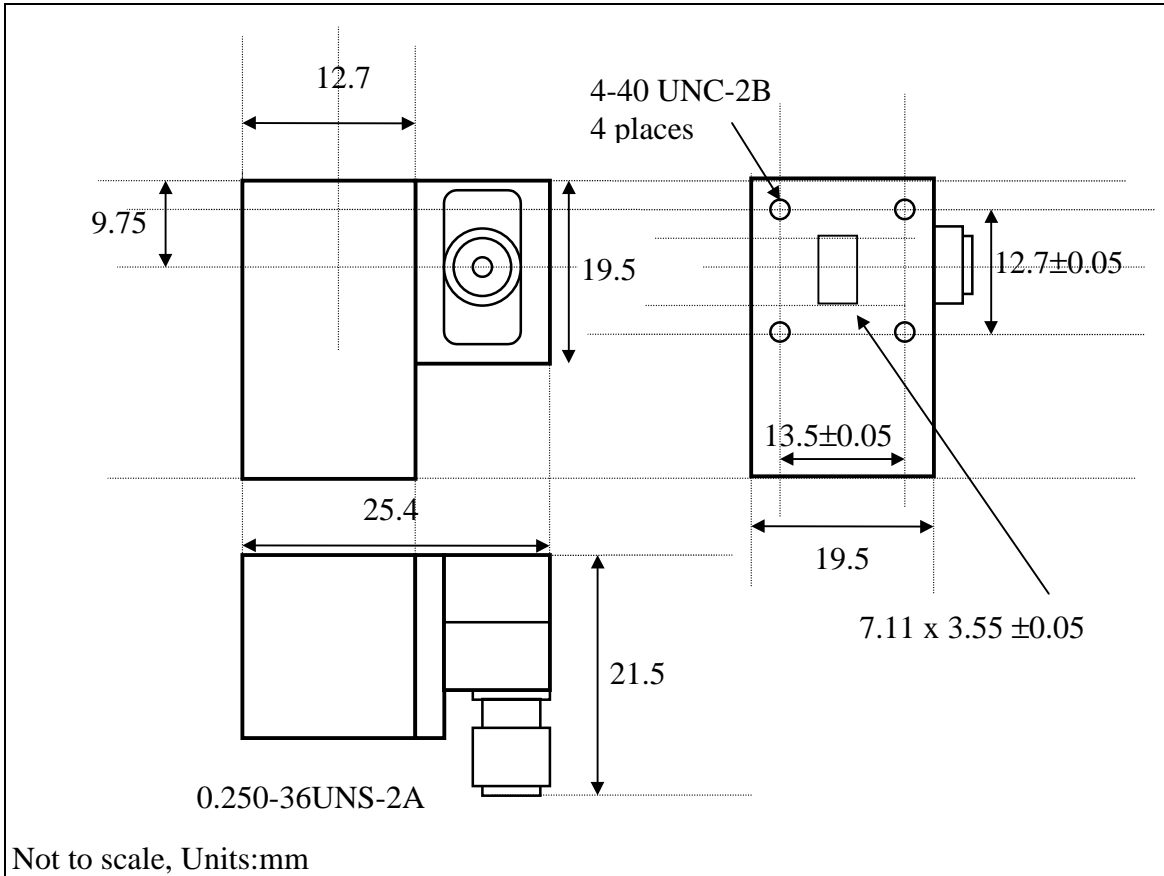


RADITEK

RADIA-27.0-30.0G-K-WR28-1W 27.0 to 30.0 GHz iso-adapter



| Specifications: | Isosadapter | |
|--|--------------|------|
| Frequency | 27.0 to 30.0 | GHz |
| Insertion loss | 0.4 | dB |
| Isolation | 20 | dB |
| VSWR | 1.25:1 | |
| Power handling | 1 | Watt |
| Temperature range | -40 to 70 | °C |
| Waveguide input | WR28 | |
| Coax output | K connector | |
| Specifications may be subject to change without notice | | |

3/19/2002