

Waveguide Isolator/ Circulator, 15.5-17.5 GHz

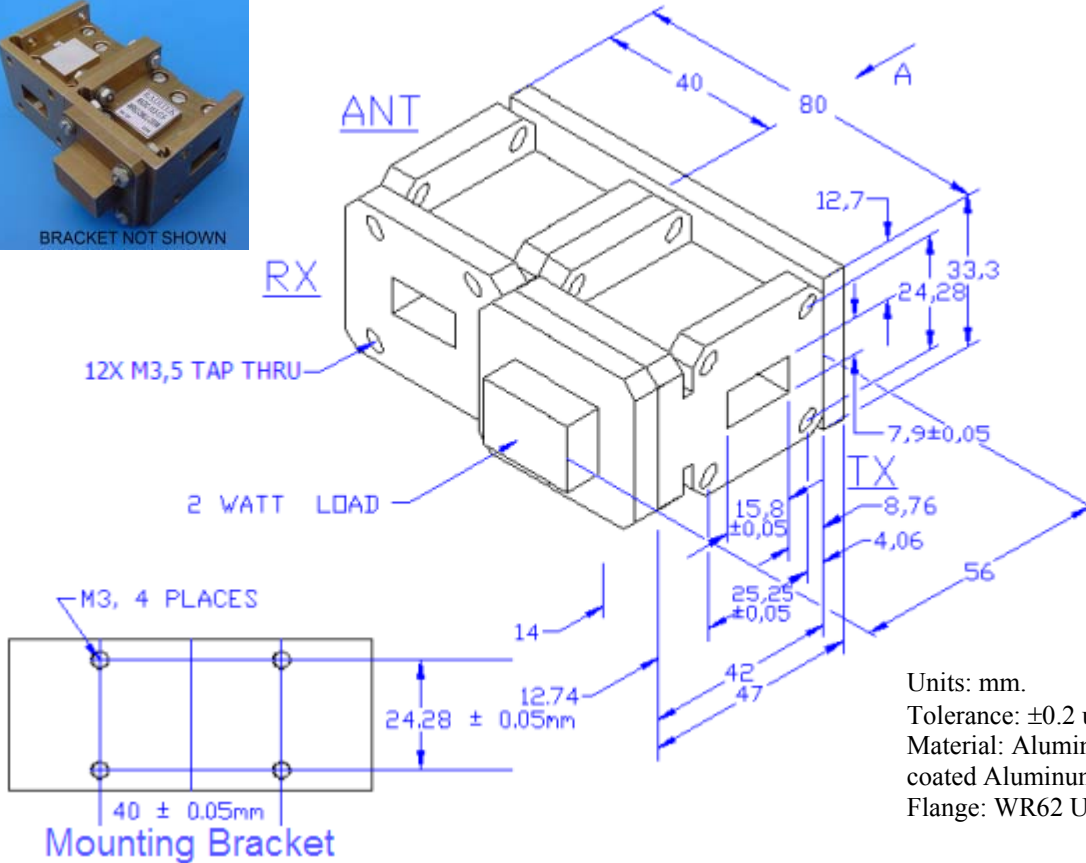
code-b

WR62UG-1665/U Flange, 4 ports, 2Watts, 250Watt Average, 2.5 Kw Peak

RADIC-15.5-17.5-WR62-2WLL/250W Fwd Avg(2.5kW PK)-M4-b



WR62
7.9±0.5 x
15.8±0.5
H-Plane



Direction of RF:	
R	Default ▶
L	◀

☞ **Order Examples:** RADIC-15.5-17.5-WR62-2WLL/250W Fwd Av(2.5kW PK)-M4-b

Description : (Isolator/Circulator, 15.5-17.5 GHz, WR62UG-1665/U Flange, 2 Watts, Counter-Clockwise/Counter Clockwise Rotation, 250 Watts Forward Average Power, 2.5kW Peak)

Electrical Specifications		Units
Frequency:	15.5-17.5	GHz
Insertion Loss	0.4	dB (max)
Isolation	28.0 @ S31 20.0 @ S23/S41	dB (min)
VSWR	1.2	:1 (max)
Power Forward	250	Watts (max)
Power Peak	2.5	Kilo Watts (max)
Temperature Range	-31 to +55	°C
Port 4 termination	2	Watt
Waveguide Flange	WR62 UG-1665/U	

RADIC-15.5-17.5-WR62-2WLL/250W Fwd Av-M4-b

Specifications may be subject to change

03/15/09

WORLD HQ: 1702H Meridian Ave. Suite 127, San Jose, Ca 95125, U.S.A.

Telephone: (408) 266-7404 FAX: (408) 266-4483

WEB: www.raditek.com , E-mail: sales@raditek.com

ROHS Compliant

RADITEK INC.

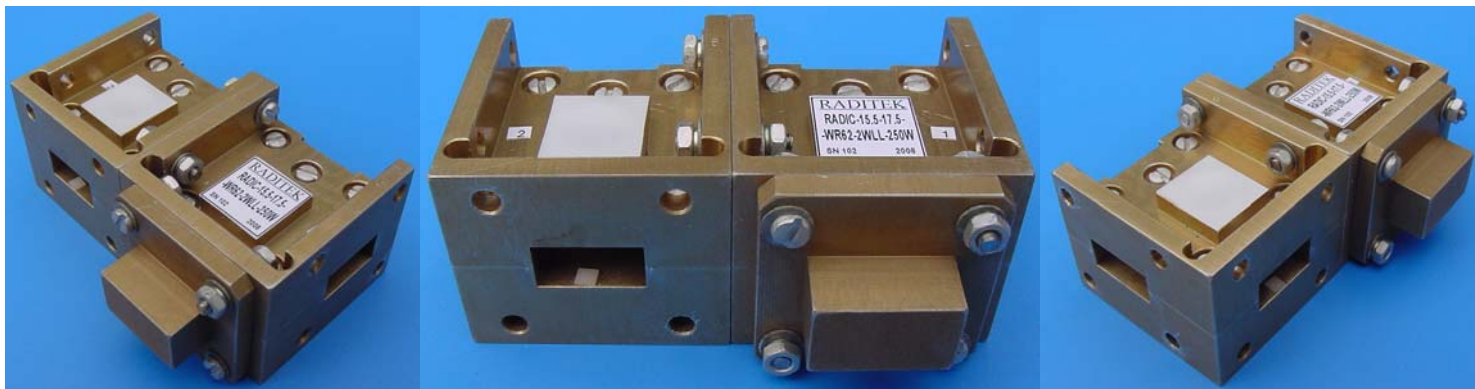
Waveguide Isolator/ Circulator, 15.5-17.5 GHz

code-b

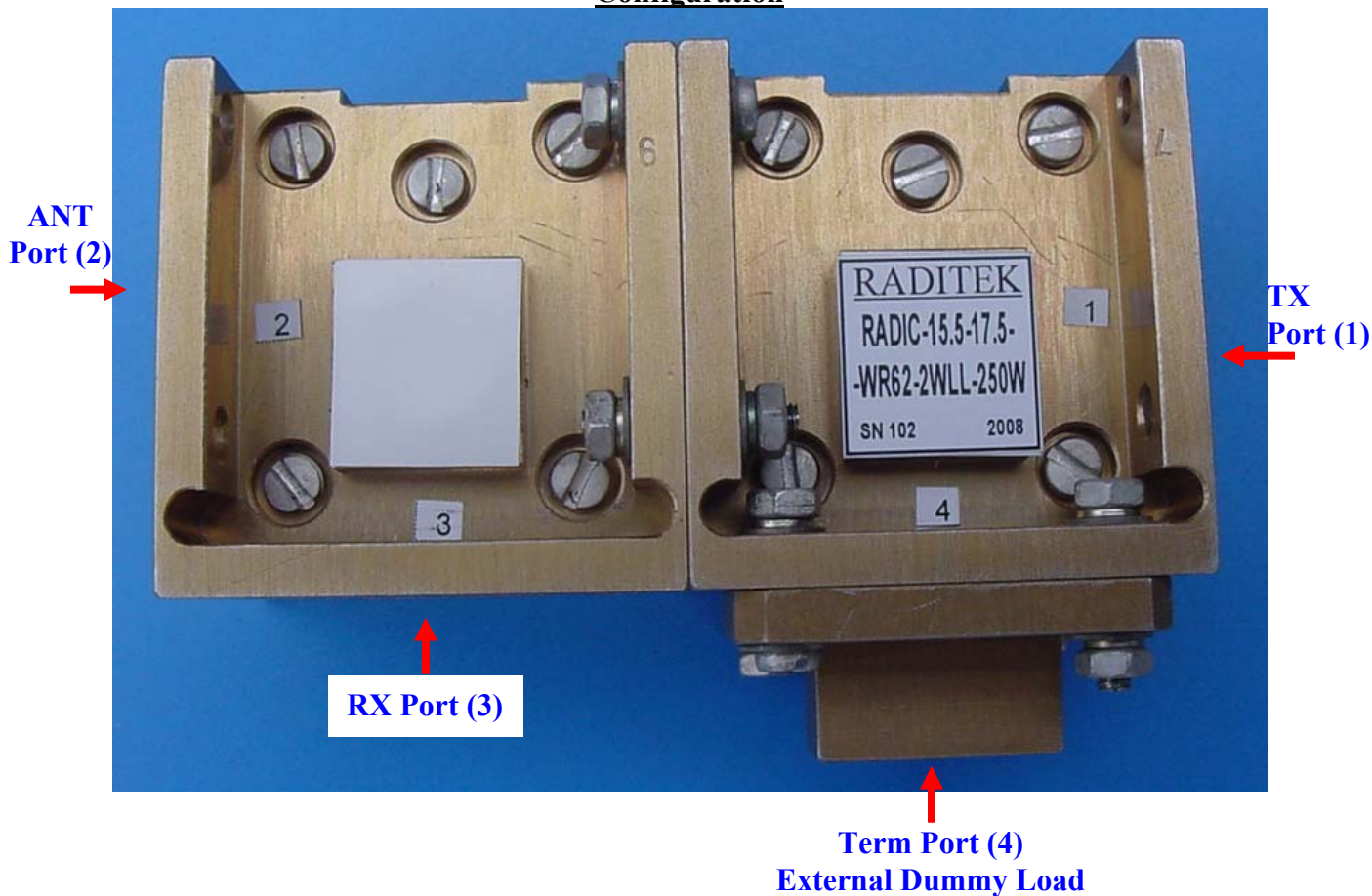
WR62UG-1665/U Flange, 4 ports, 2Watts, 250Watt Average, 2.5 Kw Peak

RADIC-15.5-17.5-WR62-2WLL/250W Fwd Avg(2.5kW PK)-M4-b

Bracket Not Shown



Configuration



RADIC-15.5-17.5-WR62-2WLL/250W Fwd Av-M4-b

Specifications may be subject to change

03/15/09

WORLD HQ: 1702H Meridian Ave. Suite 127, San Jose, Ca 95125, U.S.A.

Telephone: (408) 266-7404 FAX: (408) 266-4483

WEB: www.raditek.com , E-mail: sales@raditek.com