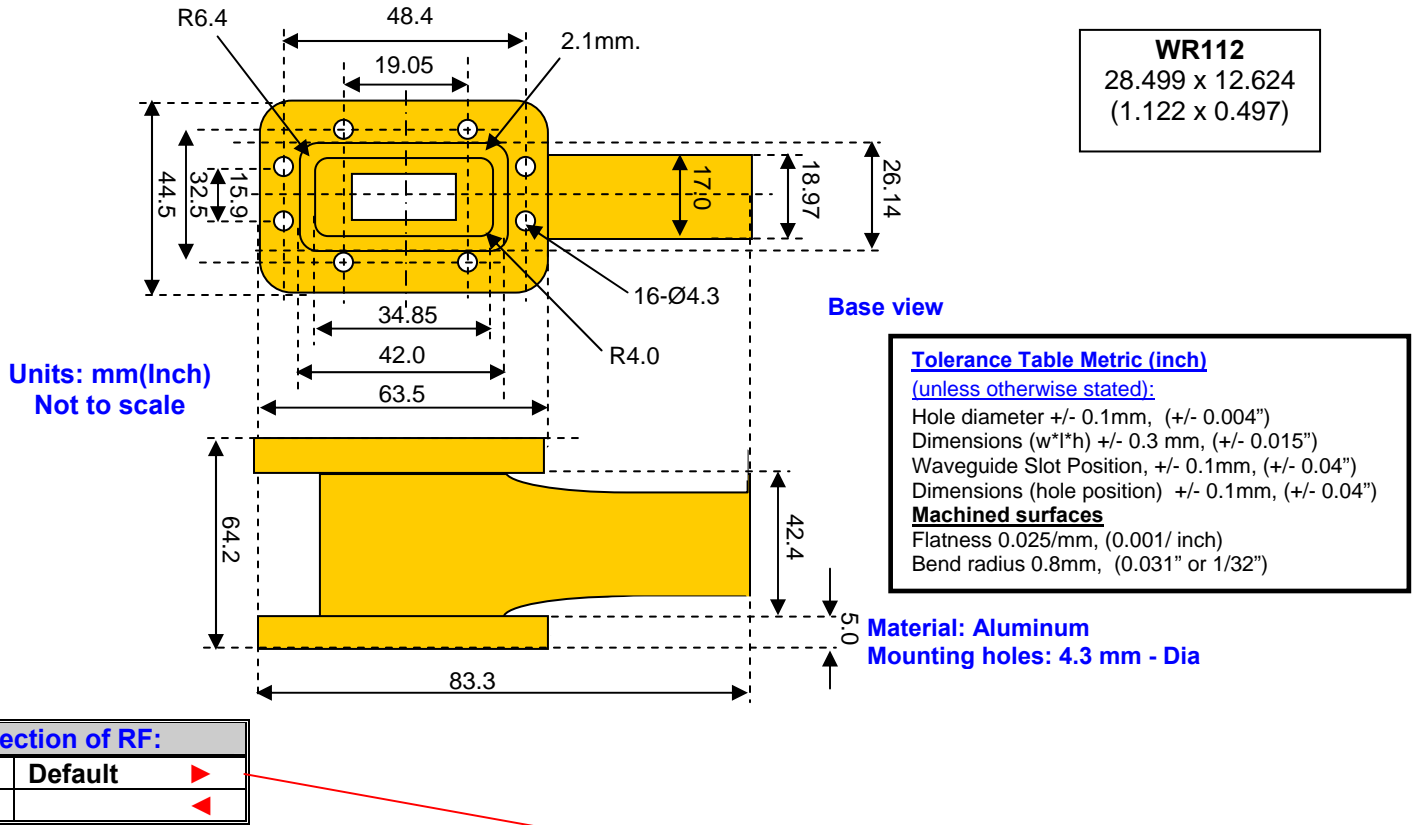


## Waveguide Isolator, WR112, 7.25-7.75GHz CPR112G Flange, 1 Watt



Order Examples: **RADI-7.25-7.75-WR112(CPR112G)-1WR**  
**I=ISOLATOR**

Specifications			Units
Frequency	7.25-7.75	7.25-7.75	GHz
Bandwidth	Full	Full	
Insertion loss	0.30	0.4	dB(max)
Isolation	23	20	dB (min)
VSWR	1.20	1.25	:1
Rated Power Forward	1	1	Watt
Rated Power Reverse	1	1	Watt
Operating temperature	25	-40 to + 60	°C
Waveguide Type	WR112/CPR-112G	WR112/CPR-112G	