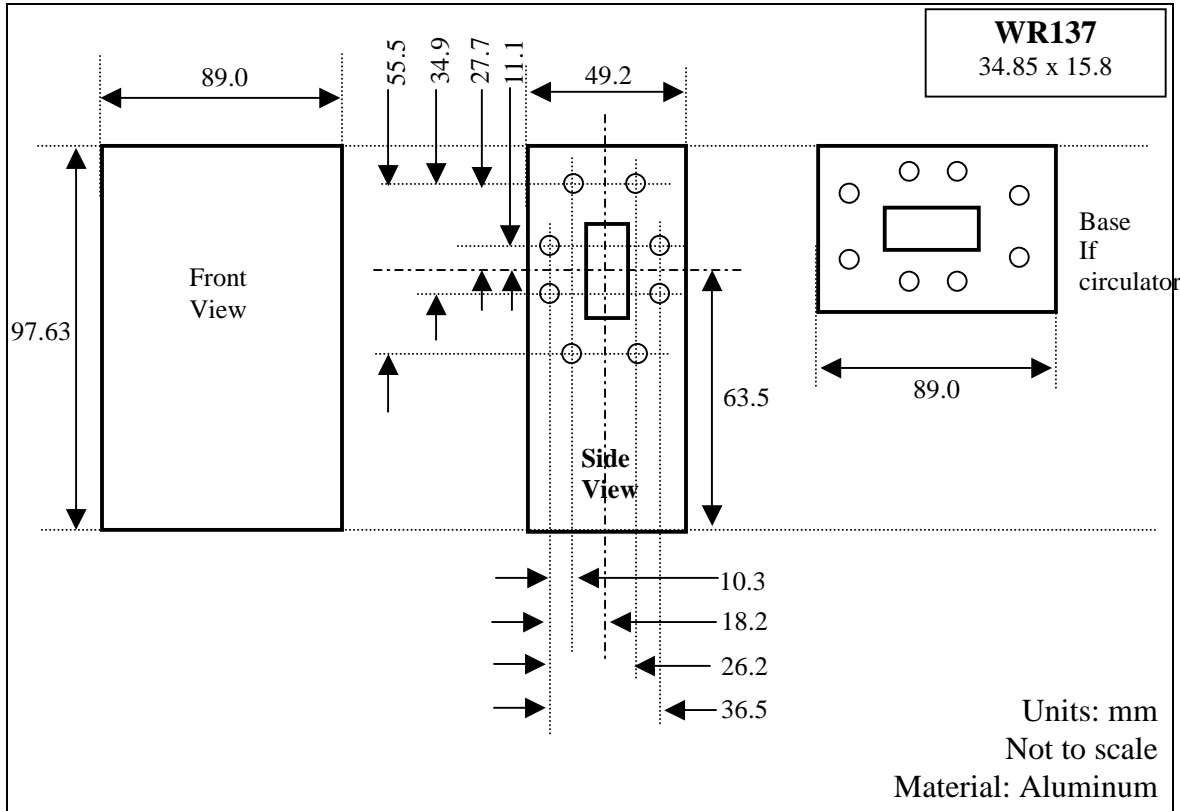


**WR137, 5.85-7.1GHz Waveguide
Isolator or Circulator
RADI/C-6.4-7.1G-WR137-2Wr or 250W
RADC-5.3-5.5-WR137-2WR**



Isolator specifications			High Power Special	Units
Frequency	5.3-5.5	6.4-7.1	5.85-6.425	GHz (full band)
Insertion loss	0.25	0.25	0.15	dB maximum
Isolation	20	20	25	dB minimum
VSWR	1.22	1.22	1.12	:1
Forward power	2W	2W	250W	Watt average
Reverse Power	2W	2W	250W	Watt average
Waveguide interface type	WR137	WR137	WR137	
Operating temperature	-30 to +70	-30 to +70	-30 to +70	°C
Altitude		to 15,000	to 15,000	feet