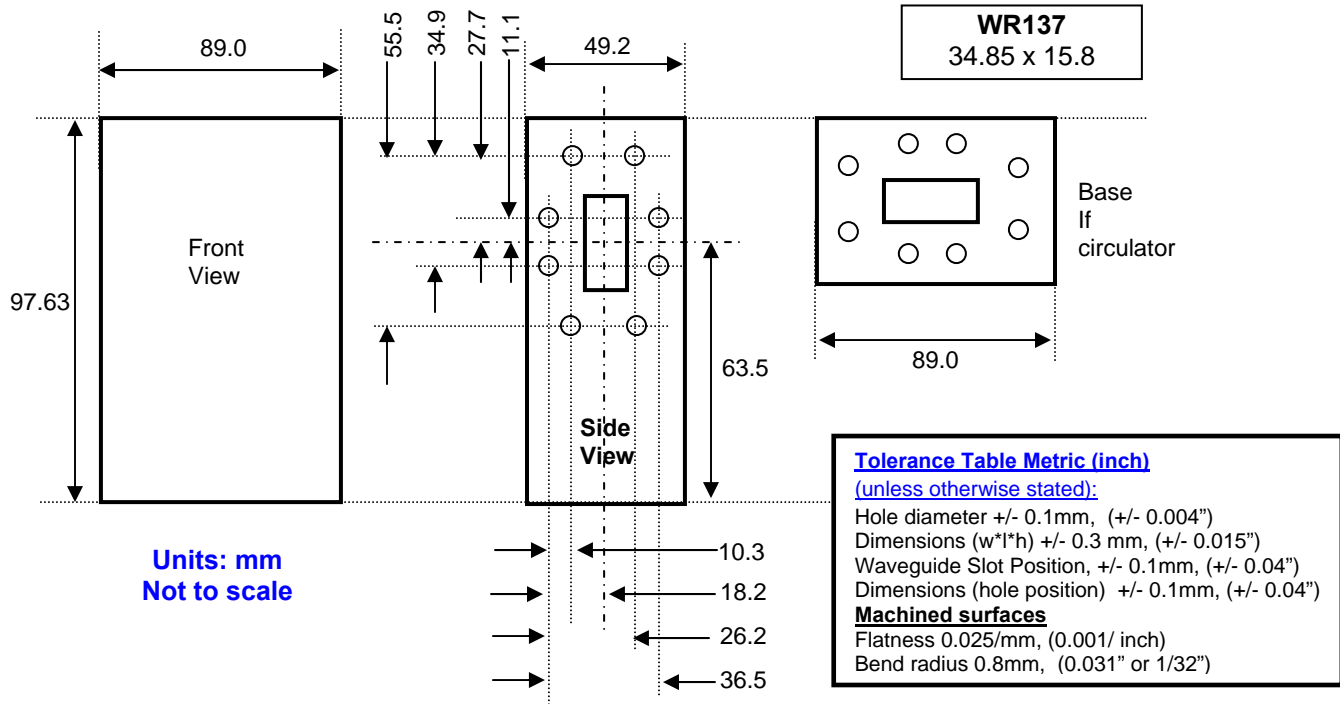


WR137, 5.3-7.15GHz Waveguide, Split Bands Isolator or Circulator



Direction of RF:	
R	Default →
L	←

Order Examples: **RADI-5.3-5.5-WR137-2WR**
I=ISOLATOR / C=CIRCULATOR

Isolator specifications	Isolator/ Circulator	Isolator/ Circulator	Circulator Only	High Power Special/ Circulator only	Units
Frequency	5.3-5.5	6.4-7.1	7.05-7.15	5.85-6.425	GHz (full band)
Insertion loss	0.25	0.25	0.15	0.15	dB maximum
Isolation	20	20	28	25	dB minimum
VSWR	1.22	1.22	1.1	1.12	:1
Forward power	2W	2W	200W	250W	Watt average
Reverse Power	2W	2W	200W	250W	Watt average
Waveguide interface type	WR137	WR137	WR137	WR137	
Operating temperature	-30 to +70	-30 to +70	-30 to +70	-30 to +70	°C
Altitude		to 15,000	to 15,000		feet
Material	Aluminum	Aluminum	Brass & Silver Plating	Aluminum	