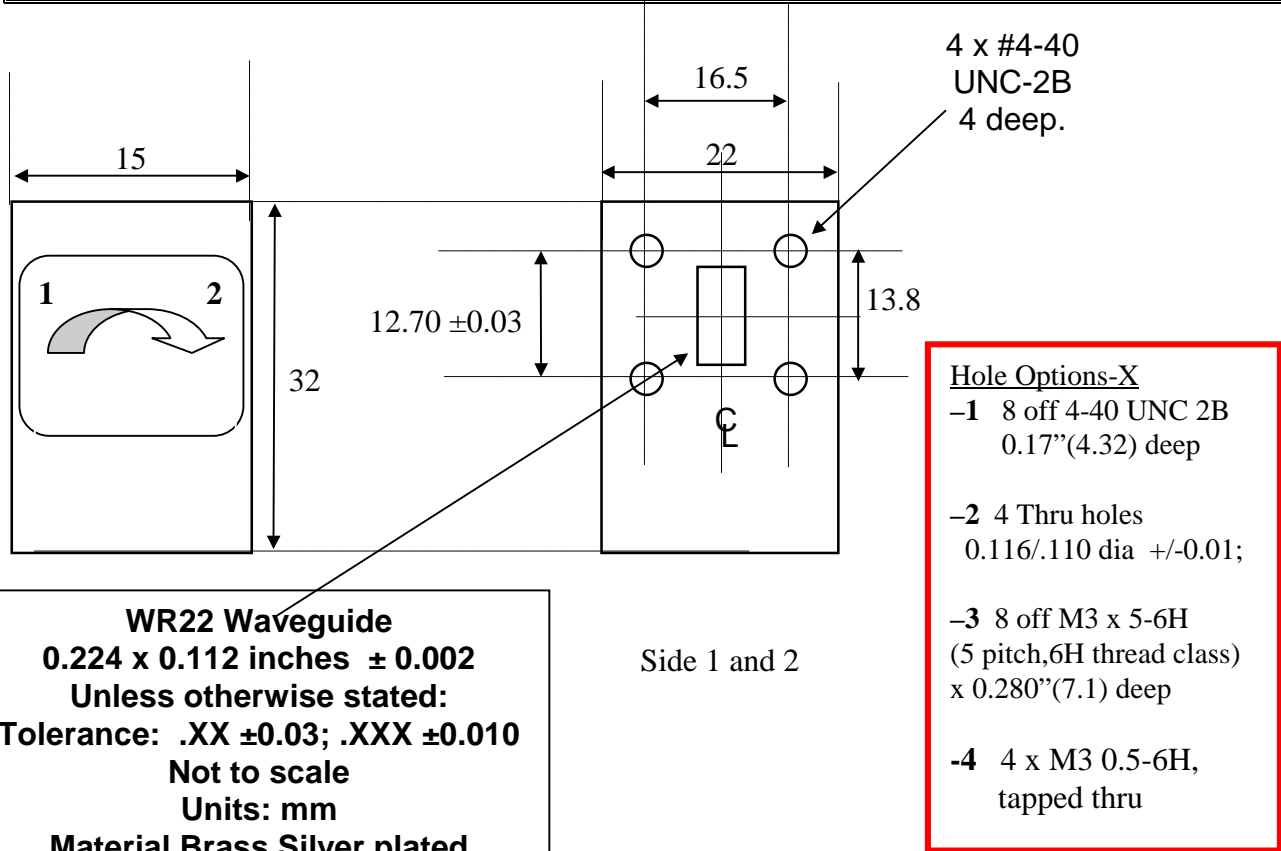


RADITEK

Isolator, Waveguide, 33.0-50 GHz (10% Bandwidth)
Isolator, Waveguide, 40-50 GHz (Full Bandwidth)
RADI-33-50-WR22-1W, RADI-40-50-WR22-1W



Cryogeni

Frequency	33-50 (any 10% bandwidth)	40-50 (full BW)	GHz
Insertion loss	0.3	0.4-0.8	dB (maximum)
Isolation	23	15-20	dB (minimum)
VSWR	1:1.25	1.45	
Waveguide interface	WR-22	WR-22	
Rated power	1 (forward and reflected)	1 (fwd and rev)	Watt(average)
Operating temperature	-30 to 75	-261 to 0	°C
Altitude	To 15,000	To 15,000	feet
Humidity	To 95	To 95	%RH