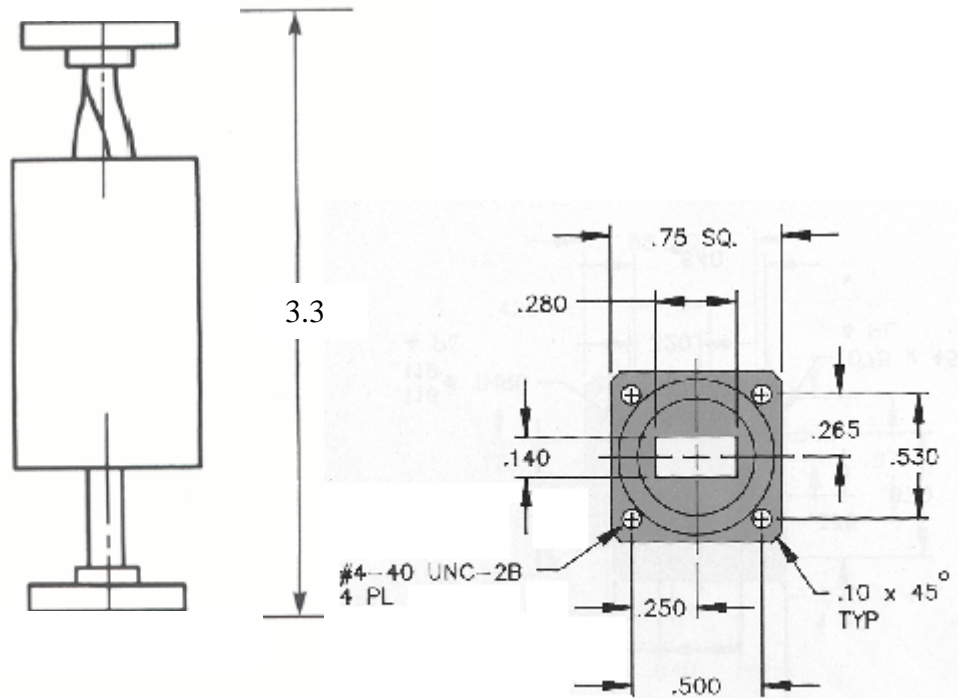


Waveguide Isolator 26.5-40 GHz
RADI-26.5-40-WR28-1.5WR-SPL
Equivalent to HP Model R365A



Units: In Inches
Not to Scale

Frequency	26.5-40	GHz
Insertion loss	1.5	dB max
Isolation	25	dB min
VSWR	1.4	:1 max
Waveguide (Flange)	WR-28	

RADITEK INC.

code b

Power (Average)	1.5	Watts
Dimension L	3.3 (83.82)	In. (mm)
Dimension D	TBA	In. (mm)