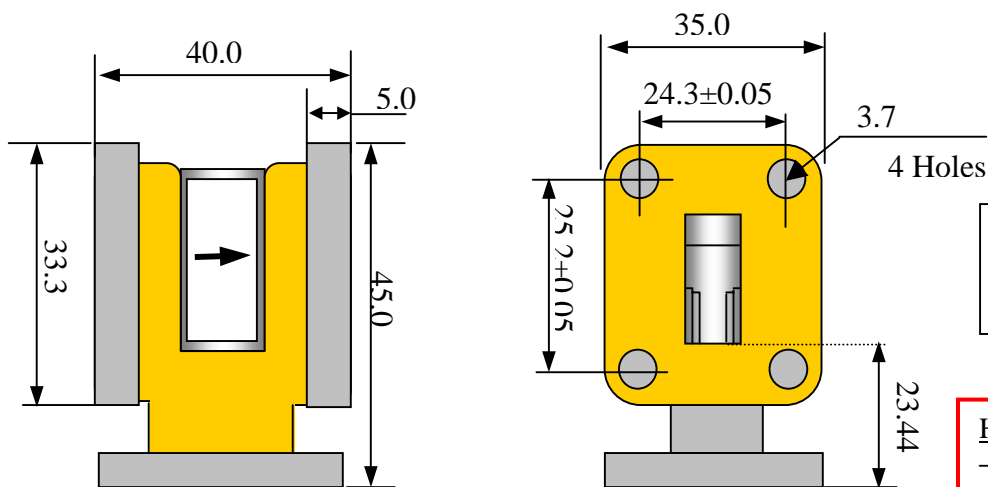


# RADITEK INC.

code b

## Waveguide Isolator, **RADI-14.923-15.173-WR62-1WR-X**



**WR62**  
15.8 x 7.9  
±0.05

### Hole Options-X

- 1 8 off 4-40 UNC 2B  
0.17"(4.32) deep
- 2 4 Thru holes  
0.116/.110 dia +/-0.01
- 3 8 off M3 x 5-6H  
(5 pitch, 6H thread  
class) x 0.280"(7.1) deep
- 4 4 x M3 0.5-6H,  
tapped thru

### SPECIFICATIONS:

<b>FREQUENCY:</b>	<b>14.474-14.724</b>	<b>14.474-14.724</b>	<b>GHz</b>
<b>INSERTION LOSS:</b>	<b>0.2</b>	<b>0.2</b>	<b>dB</b>
<b>ISOLATION:</b>	<b>23</b>	<b>23</b>	<b>dB</b>
<b>VSWR:</b>	<b>1.15</b>	<b>1.15</b>	<b>:1 max</b>
<b>Forward Power:</b>	<b>20</b>	<b>25</b>	<b>Watts</b>
<b>Reverse Power:</b>	<b>1</b>	<b>2</b>	<b>Watts</b>
<b>Flange:</b>	<b>WR62</b>	<b>WR62</b>	
<b>Over temperature</b>	<b>-20 to 65</b>	<b>-20 to 65</b>	<b>°C</b>

**Units in MM**  
Not To Scale

Material:  
Aluminum