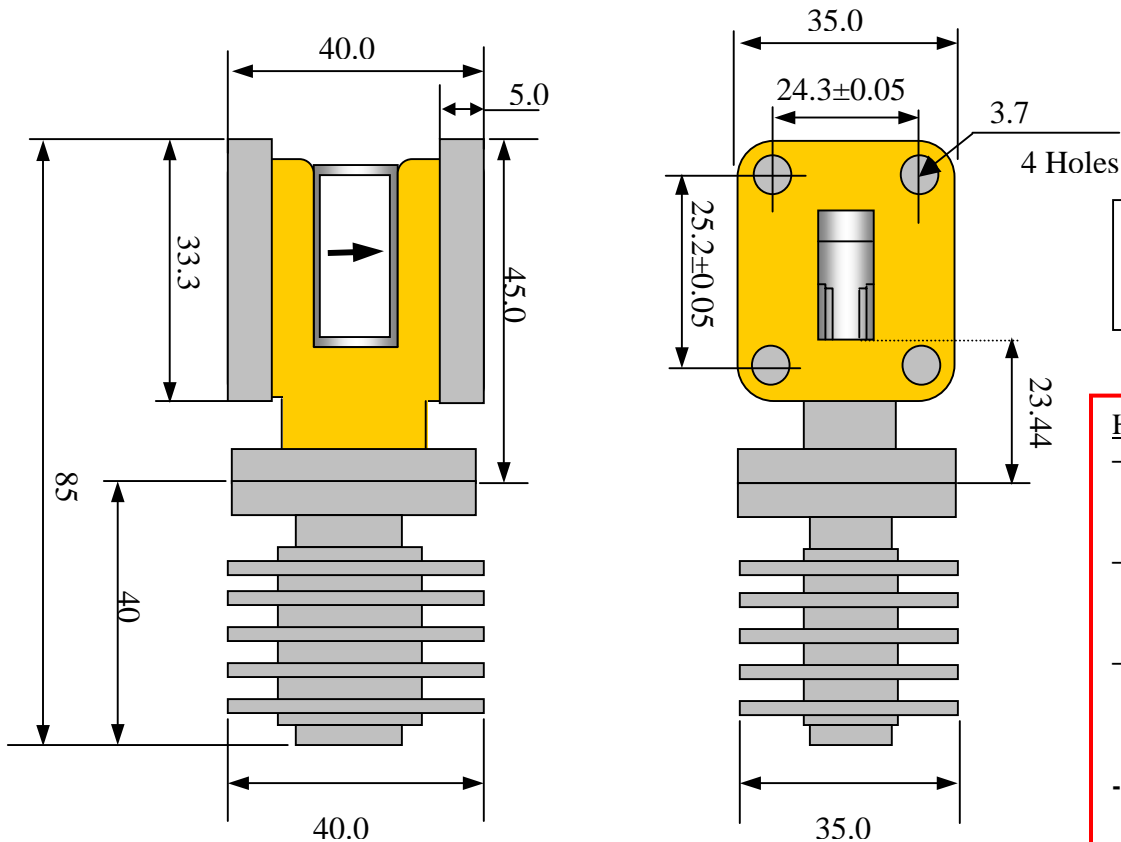


RADITEK INC.

code b

Waveguide Isolator, **RADI-13.0-17.0-WR62-15WR-X-b**



Load Length
 2 GHz BW - 17mm
 4 GHz BW - 40mm

WR62
 15.8 x 7.9
 ±0.05

- Hole Options-X
- 1 8 off 4-40 UNC 2B
0.17"(4.32) deep
 - 2 4 Thru holes
0.116/.110 dia +/-0.01
 - 3 8 off M3 x 5-6H
(5 pitch, 6H thread class) x 0.280"(7.1) deep
 - 4 4 x M3 0.5-6H,
tapped thru

SPECIFICATIONS:

Frequency:	13.0-17.0	GHz
Bandwidth	4	GHz
Insertion Loss:	0.3	dB
Isolation:	20	dB
VSWR:	1.22	:1 max
Forward Power:	15	Watts
Reverse Power:	15	Watts
Operating Temp	-40 to +70	°C
Flange:	WR62	
Overall Length	85	mm
Altitude	45,000	Ft.

Units in MM
 Not To Scale

Material:
 Aluminum