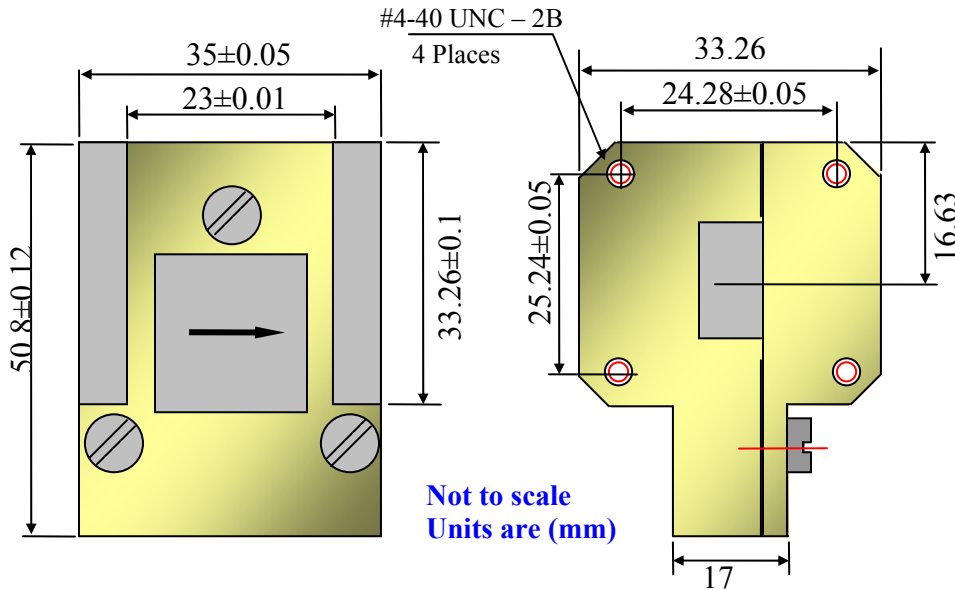


RADITEK INC.

Waveguide, Isolator 12.5-16.0GHz, Split Bands WR62/UBR140, 1-4 Watts Reverse Power,



Hole Options-X

- 1 8 off 4-40 UNC 2B
0.17"(4.32) deep
- 2 4 Thru holes
0.116/.110 dia +/-0.01
- 3 8 off M3 x 5-6H
(5 pitch, 6H thread class) x 0.280"(7.1) deep
- 4 8 x M3 0.5 deep

Direction of RF:

R	Default	▶
L		◀

Note: Compulsory Air Cooling Is Required

Order Examples: **RADI-12.5-13.5-WR62-UBR140-1WR-1**

Description: (Waveguide Isolator, 12.5-13.5 GHz, WR62-UBR140 Flange,
1 Watt Reverse Power, Clockwise Rotation, Hole Option 1)

Specifications:				Units
Frequency Range	12.5-13.5	12.6-15.4	13-16	GHz
Insertion loss	0.2	0.3	0.3	dB
Isolation	20	20	20	dB
VSWR (in and out)	1.22	1.25	1.25	Max
Forward Power	2	2	3	Watts (max.)
Reverse Power	1	1	3	Watts
Operating temperature	-30 to +65	-30 to +65	-30 to +70	°C
Flange	WR62 / UBR-140	WR62 / UBR-140	WR62 / UBR-140	
Material	Aluminum	Aluminum	Aluminum	
Finish	Chemical Film	Chemical Film	Chemical Film	

RADI-12.5-16.0-WR62-UBR140-1WR(Generic)-e

Specifications may be subject to change

08/07/08

WORLD HQ: 1702L Meridian Ave. Suite 127, San Jose, Ca 95125, U.S.A.

Telephone: (408) 266-7404 FAX: (408) 266-4483

WEB: www.raditek.com, E-mail: sales@raditek.com

RADITEK INC.

Waveguide, Isolator 12.5-16.0GHz, Split Bands WR62/UBR140, 1-4 Watts Reverse Power,

Specifications:				Units
Frequency Range	13.75-14.5	14.2-15.5		GHz
Insertion loss	0.2	0.2		dB
Isolation	20	22		dB
VSWR (in and out)	1.22	1.22		Max
Forward Power	25	2		Watts (max.)
Reverse Power	4	1		Watts
Operating temperature	-30 to +65	-30 to +65		°C
Flange	WR62 / UBR-140	WR62 / UBR-140		
Material	Aluminum	Aluminum		
Finish	Chemical Film	Chemical Film		