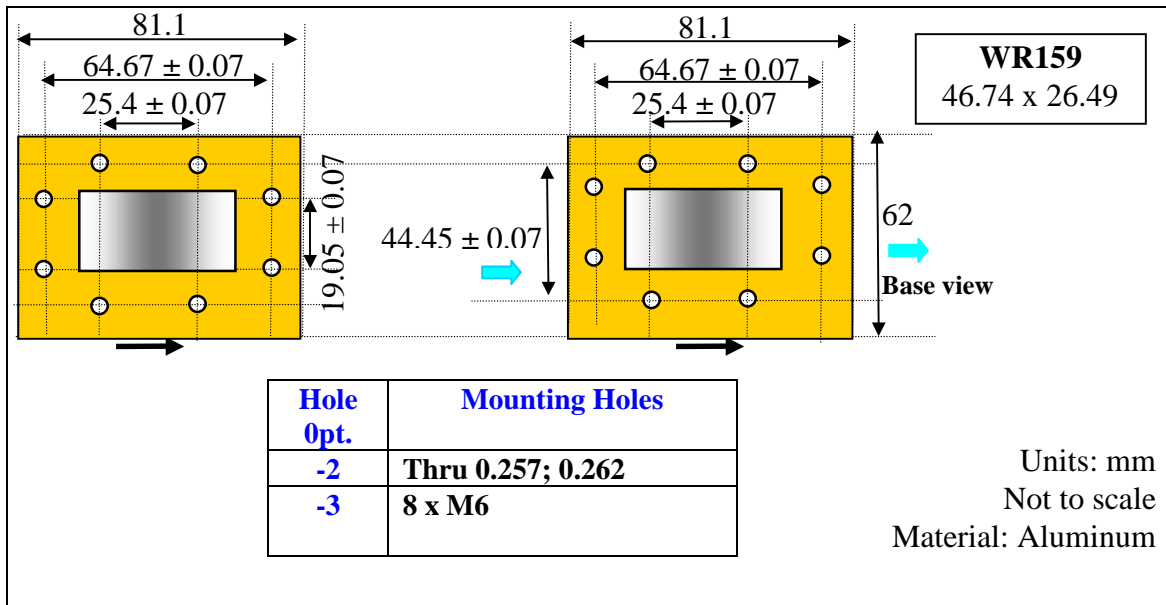
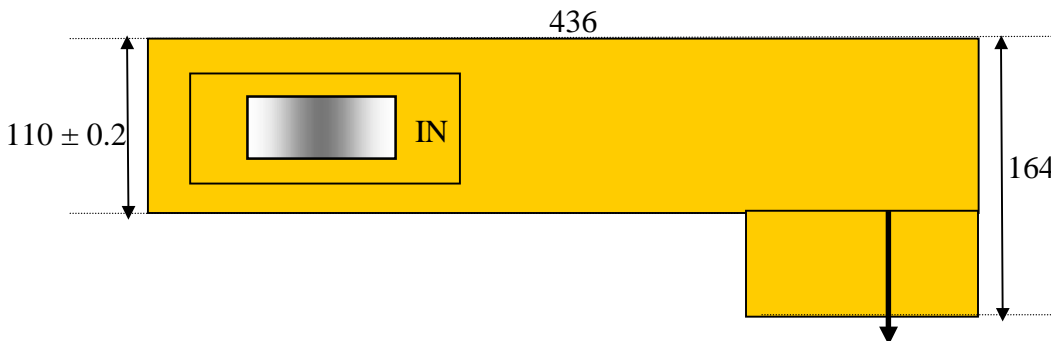


RADITEK

WR159, 5.5-5.7GHz Waveguide Circulator RADC-5.5-5.7-WR159-650W (270 kW Peak)



Isolator specifications		Units
Frequency	5.5 - 5.7	GHz (full band)
Insertion loss	0.2	dB maximum
Isolation	23	dB minimum
VSWR	1.15	dB maximum
Peak Power	270 kW	kW
Average Power	650 W	Watt minimum
Waveguide interface type	WR159	
Operating Temperature	-40 to +70	°C



**FOR DETAILS, SEE
THE ATTACHED
MACHINE DRAWING**