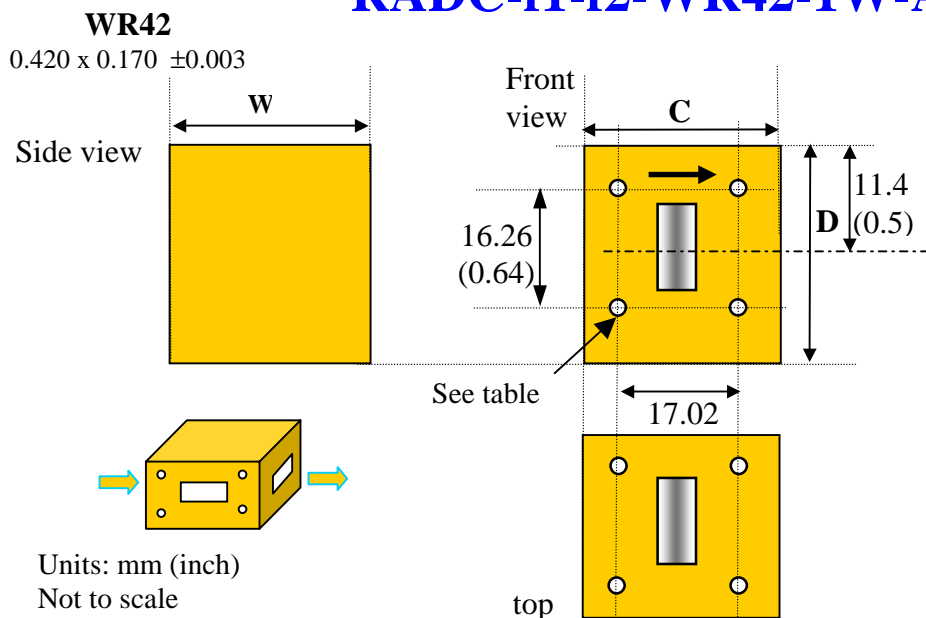


RADITEK

Circulator 17.7-26.5 GHz WR42 (full or part band)

RADC-f1-f2-WR42-1W-A/B-X



Size	-A opt.	-B opt.
W	25.4 (1.0)	22.2 (0.874)
C	22.22 (0.875)	22.2 (0.874)
D	29.21 (1.15)	31.75 (1.25)

Hole Opt.	Mounting Holes
-1 default	12 x 4-40 UNC 4.8 (0.19) deep
-2	Port 1-2 8x Thru hole 0.118" clearance Port 3: 4 x 4-40 UNC 4.8 (0.19) deep
-3	12 x M3 4.5 (0.18) deep,

Units: mm (inch)

Not to scale

Material: Aluminum 6061-T6
(Yellow Alodined)

Part #: RADC-24.25-27.5-WR42-1W (Example)

Circulator specifications	10% Bandwidth	Full Band	Special	Special	Units
Frequency	24.00-26.00 24.25-27.5	18-26.5	24.5-26.5	20.5-22.5	GHz (full band)
Insertion loss	0.25	0.5	0.4	0.25	dB maximum
Isolation	20	17	20	20	dB minimum
VSWR	1.25:1	1.35:1	1.22:1	1.25:1	
Rated Power Forward	2W	2W	2W	2kW	Watt minimum
Rated Power Reverse	2W	2W	2W	2kW (5-10 ms)	Watt minimum
Waveguide interface type	WR42	WR42	WR42-UG 596	WR42	
Operating temperature	-30 to +70	-30 to +70	-40 to +80	-30 to +70	°C
Storage temperature	-50 to 105	-50 to 105	-50 to 105	-50 to 105	°C
Altitude	to 15,000	to 15,000	to 15,000	to 15,000	feet
Humidity	to 95	to 95	to 95	to 95	%
Shock			1G		max (sine)
Vibration			25G		Max as ETS-019-1-4

Note Full band model uses special ferrite and requires extensive tuning, 10-15% bandwidth models are significantly cheaper
RADC-18-26.5-WR42-1W Specifications may be subject to change 3/11/02

RADITEK

1702H Meridian Ave. Suite 127
San Jose, CA 95125

Phone (408) 266 7404, FAX (408) 266 4483

Web site is www.raditek.com E-Mail at sales@raditek.com