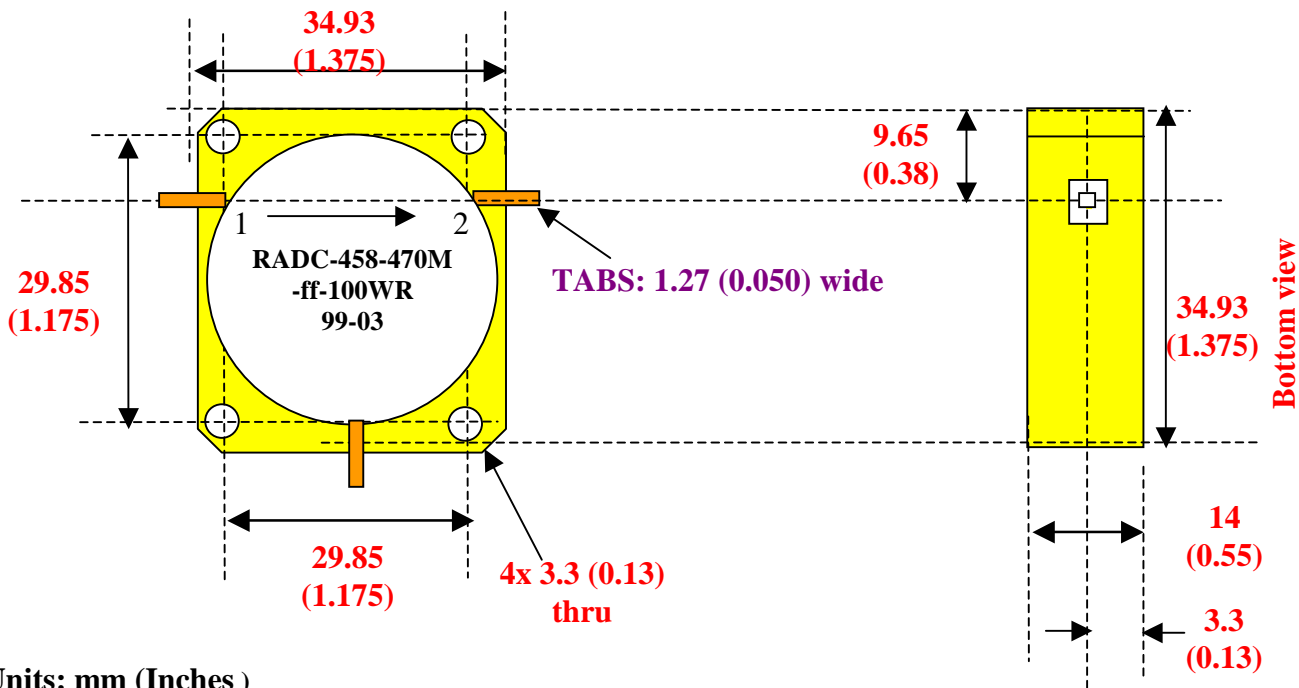


RADITEK 458-470 MHz Stripline Circulators

RADC-458-470-ff-100WR (R1)

(code sj)



Units: mm (Inches)

Not to scale.

Tab plating: Silver plated beryllium copper.

Leads should have stress relieve.

The outline and location of screw hole & tabs should not change. The thickness of circulator can be .7 inch max.

Specifications (over full operating temperature range)

Specifications:

Frequency ($F_{LO}F_{HI}$)	458 - 470	MHz
Insertion loss	0.35	dB Max.
Isolation	20	dB Min.
VSWR, input / output	1.22:1	Max.
Rated power (average)	100	Watts
Operating temperature	-40 to +65	°C
Storage temperature	-40 to +125	°C
IMD (See note 1)		
Weight	0.2075	lbs
	0.0942	kg

Note 1: IMD allows to degrade 1dB over operating temp.