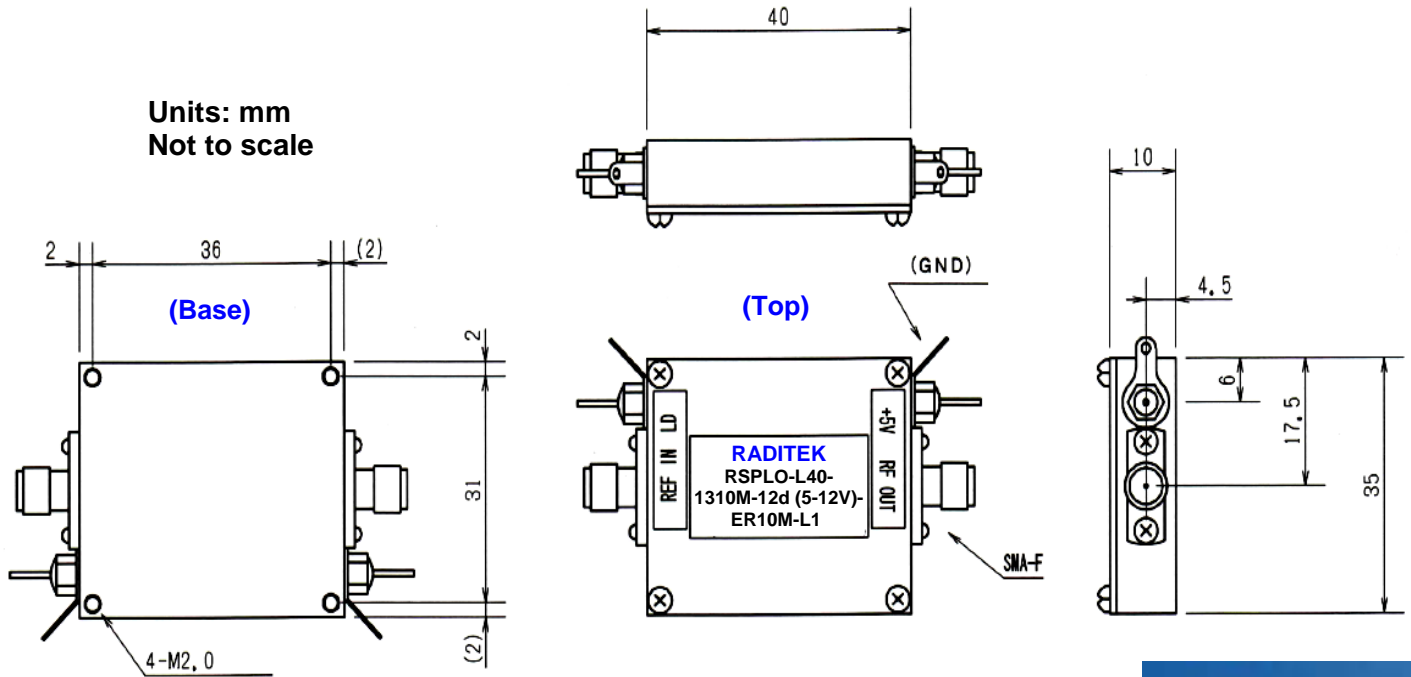


## Synthesized Phase Locked Oscillator, 100-3500MHz 10MHz External Reference, SMA Female Connectors

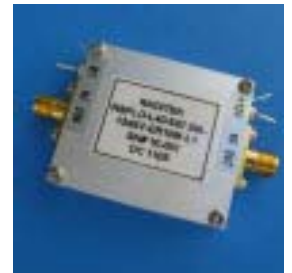
Specify Single Frequency Between 100-3500MHz

RSPLO-L40-100-3500M-12d(5-12V)-ER10M-L1



**Features:**

- **Compact Size** .....35(W) x 40(L) x 10(H) mm
- **Low Phase Noise** .....-100dBc/Hz at 10KHz offset
- **Wide Frequency Range** .....100 ~ 35000MHz
- **Voltage**.....+5V ~+12V, 10MHz Ref. In.
- **External Reference**.....10MHz Ref. In.
- **FM Modulation Input**.....fm=50Hz ~6MHz



Specifications					Units
Output Frequency :	100 ~ 3500	800	1310	2420	MHz
SSB Phase Noise	@2500MHz				
• 10Hz offset			≤-50	≤-50	dBc/Hz
• 100 Hz offset			≤-75	≤-75	dBc/Hz
• 1 KHz offset	≤-80	≤-80	≤-100	≤-100	dBc/Hz
• 10 KHz offset	≤-100	≤-100	≤-110	≤-110	dBc/Hz
• 100KHz offset	≤-120	≤-120	≤-120	≤-120	dBc/Hz
• 1MHz offset	≤-130	≤-130	≤-140	≤-140	dBc/Hz
• 10MHz offset			≤-140	≤-140	dBc/Hz
Load VSWR			<-20	<-20	dB
RF Output Power	+12 (@2500MHz)	+13	+10 ±1dB	+10dBm ±1dB	dBm (min)
Phase Comparison Frequency	1	1			MHz(for design purpose only)

Doc name

Specifications may be subject to change

mm/dd/yy

WORLD HQ: 1702L Meridian Ave. Suite 127, San Jose, Ca 95125, U.S.A.

Tel: (408) 266-7404

FAX: (408) 266-4483

WEB: www.raditek.com

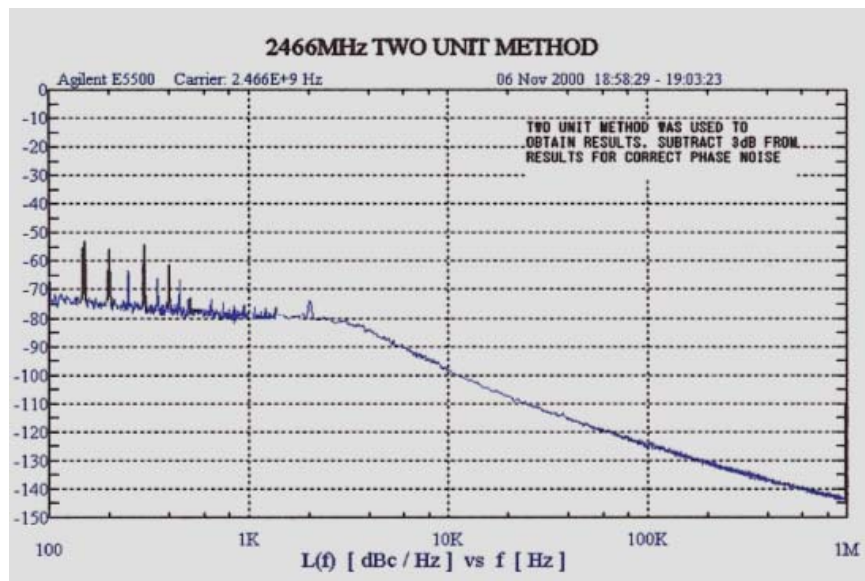
E-mail: sales@raditek.com

## Synthesized Phase Locked Oscillator, 100-3500MHz 10MHz External Reference, SMA Female Connectors

Specify Single Frequency Between 100-3500MHz

RSPLO-L40-100-3500M-12d(5-12V)-ER10M-L1

Specifications					Units
Spurious:					
• Harmonics	-20	-20	<-80	<-80	dBc/Hz
• Non- Harmonics	-65	-65			dBc/Hz
Spurious DC to f0-10MHz			<-80	<-80	dBc
Spurious f0 +10MHz to 18GHz			<-80	<-80	dBc
External Reference IN	10	80	10	10	MHz, 0dBm C/N=-140 dBc/Hz at 1KHz offset
Input Power			0	0	dBm ± 3dB (TBD)
Frequency Stability			Same as Ref. Clock (TBD)	Same as Ref. Clock (TBD)	
Alarm Out					
• Lock	TTL-Hi	TTL-Hi			
• Unlock	TTL-Lo	TTL-Lo			
DC Bias	100	100			mA @ +5V ~ +12V
Supply Voltage	+5 ~ +12	+5	+5 ~ +12	+5 ~ +12	Volts
Option: FM Modulation, Input	50Hz ~6MHz				
Operating Temp. Range	-20 ~+70	-10 ~+50	-20 ~+70	-20 ~+70	° C
Dimensions:	35W x 40L x 10H				mm
Connectors:					
• SMA (F)	RF, Ref:				
• Feed through	DC Bias, Alarm				



Doc name

Specifications may be subject to change

mm/dd/yy

WORLD HQ: 1702L Meridian Ave. Suite 127, San Jose, Ca 95125, U.S.A.

Tel: (408) 266-7404

FAX: (408) 266-4483

WEB: www.raditek.com

E-mail: sales@raditek.com

## Synthesized Phase Locked Oscillator, 100-3500MHz 10MHz External Reference, SMA Female Connectors

Specify Single Frequency Between 100-3500MHz

RSPLO-L40-100-3500M-12d(5-12V)-ER10M-L1

Specifications					Units
Output Frequency :	406	406.4	587.5	2000	MHz
SSB Phase Noise					
• 10 Hz offset	≤-80	≤-80	≤-80	≤-80	dBc/Hz
• 100 Hz offset	≤-80	≤-80	≤-80	≤-80	dBc/Hz
• 1 KHz offset	≤-80	≤-80	≤-80	≤-80	dBc/Hz
• 10 KHz offset	≤-100	≤-100	≤-100	≤-95	dBc/Hz
• 100KHz offset	≤-120	≤-120	≤-120	≤-100	dBc/Hz
• 1MHz offset	≤-130	≤-130	≤-130	≤-120	dBc/Hz
• 10MHz offset					dBc/Hz
Load VSWR					
RF Output Power	+13	+13	+13	+15	dBm (min)
Phase Comparison Frequency	2.0	0.4	2.5		MHz (for design purpose only)
Spurious:					
• Harmonics	-20	-20	-20	≤-20	dBc/Hz
• Non- Harmonics	-65	-65	-65	≤-65	dBc/Hz
Spurious DC to f0-10MHz					dBc
Spurious f0 +10MHz to 18GHz					dBc
External Reference In	10	10	10	100	MHz, 0dBm C/N=-140 dBc/Hz at 1KHz offset
Input Power					dBm ± 3dB (TBD)
Frequency Stability					
Alarm Out					
• Lock	TTL-Hi	TTL-Hi	TTL-Hi	TTL-Hi	
• Unlock	TTL-Lo	TTL-Lo	TTL-Lo	TTL-Lo	
DC Bias	100	100	100	100	mA max @ +5V
Supply Voltage	+5	+5	+5		Volts
Option: FM Modulation, Input					
Operating Temp. Range			-10 ~+50		° C
Dimensions:			35W x 40L x 10H		mm
Connectors					
• SMA (F)			RF, Ref		
• Feed through			DC Bias, Alarm		

Doc name

Specifications may be subject to change

mm/dd/yy

WORLD HQ: 1702L Meridian Ave. Suite 127, San Jose, Ca 95125, U.S.A.

Tel: (408) 266-7404

FAX: (408) 266-4483

WEB: www.raditek.com

E-mail: sales@raditek.com

## Synthesized Phase Locked Oscillator, 100-3500MHz 10MHz External Reference, SMA Female Connectors

Specify Single Frequency Between 100-3500MHz

RSPLO-L40-100-3500M-12d(5-12V)-ER10M-L1

Specifications				Units
Output Frequency :	2000	2255		MHz
SSB Phase Noise				
• 10 Hz offset				dBc/Hz
• 100 Hz offset				dBc/Hz
• 1 KHz offset	≤-80	≤-80		dBc/Hz
• 10 KHz offset	≤-95	≤-95		dBc/Hz
• 100KHz offset	≤-100	≤-100		dBc/Hz
• 1MHz offset	≤-120	≤-120		dBc/Hz
• 10MHz offset				dBc/Hz
Load VSWR				
RF Output Power	+14±2dB	+12		dBm (min)
Phase Comparison Frequency				MHz (for design purpose only)
Spurious:				
• Harmonics	≤-35	≤-20		dBc/Hz
• Non- Harmonics	≤-70	≤-65		dBc/Hz
Spurious DC to f0-10MHz				dBc
Spurious f0 +10MHz to 18GHz				dBc
External Reference In	100	10		MHz, 0dBm C/N=-140 dBc/Hz at 1KHz offset
Input Power				dBm ± 3dB (TBD)
Frequency Stability				
Alarm Out				
• Lock	TTL-Hi	TTL-Hi		
• Unlock	TTL-Lo	TTL-Lo		
DC Bias	100	100		mA max @ +5V
Supply Voltage				Volts
Option: FM Modulation, Input				
Operating Temp. Range			-10 ~+50	° C
Dimensions:			35W x 40L x 10H	mm
Connectors				
• SMA (F)			RF, Ref	
• Feed through			DC Bias, Alarm	

Doc name

Specifications may be subject to change

mm/dd/yy

WORLD HQ: 1702L Meridian Ave. Suite 127, San Jose, Ca 95125, U.S.A.

Tel: (408) 266-7404

FAX: (408) 266-4483

WEB: www.raditek.com

E-mail: sales@raditek.com