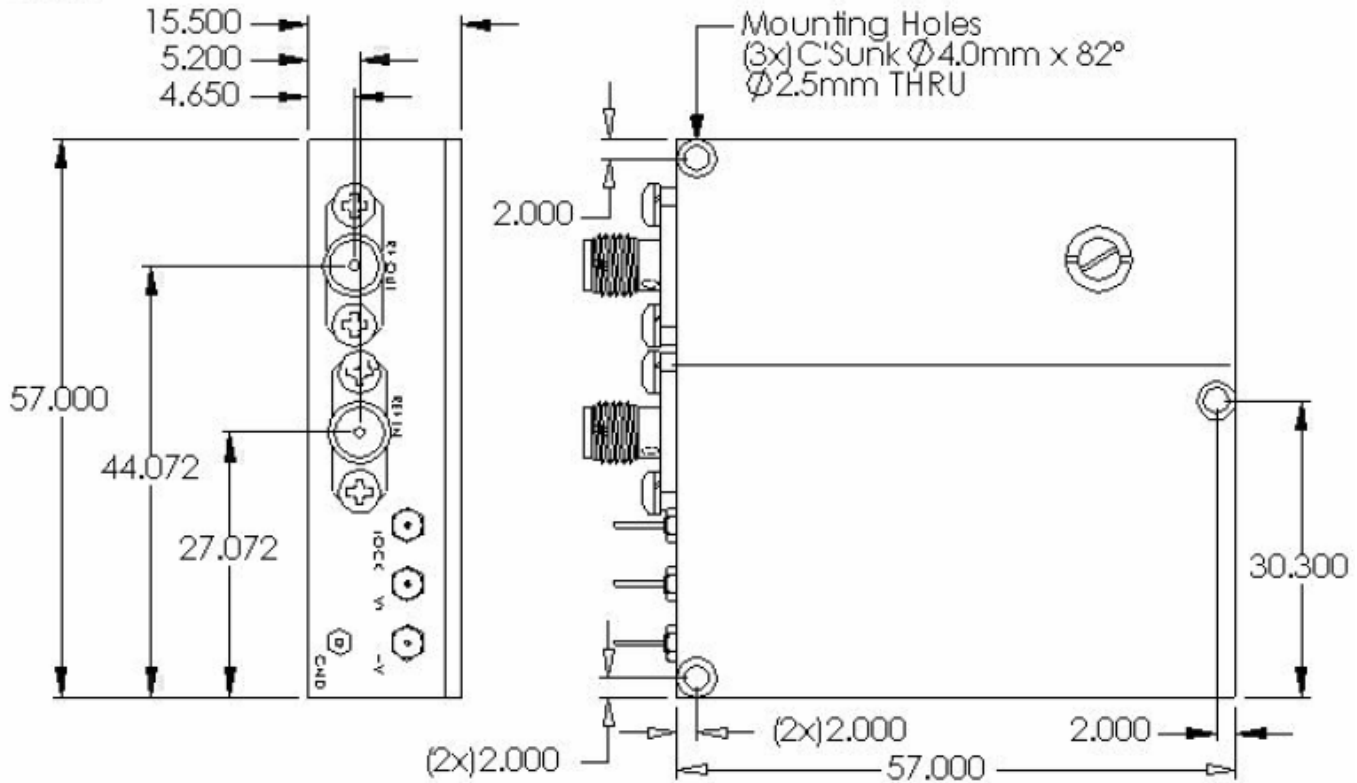


RADITEK Phase Locked Oscillators 6.0-18.0 GHz, ER code-h1

RADITEK Phase Locked Oscillators (PLO's) use dielectric resonators for improved stability and phase noise. The oscillator is phase locked to a crystal oscillator reference (external or internal).

External Reference PLO 6 to 18GHz (Frequency to Reference ratio < 100)



PART#: RPLO-H-FREQ-POWER (VCC)-ER-REF

Example: RPLO-H-6.0-11d-(12-15V)-ER100M

Specifications	Units	
Frequency	6.0-18.0	GHz
Reference	External	
Reference Frequency	10~200	MHz
Reference Power	0±2	dBm
Harmonics	See Chart	dBc
Spurious	See Chart	dBc
Phase Noise	See Chart	
Supply Voltage	12-15	Vdc
Voltage Regulation	±0.5	Vdc
Supply Current	180	mA
Operating Temp.	-30 to +70	°C
Storage Temp.	-45 to +85	°C
Lock Alarm	TTL O/C	

Connectors	
RF Output	SMA(F)
Reference Input	SMA(F)
Locked Alarm	Feedthru
Supply Voltage	Feedthru
Ground	Solder Lug

Specifications	Units	
Frequency	6.0-18.0	GHz
RF Power	+11	dBm
Variation over Temperature	+1	dBm
Output Impedance	50	Ohm
Load VSWR	1.5	:1
Harmonics	-30	dBc
Spurious	-80	dBc
Phase Noise		
@ 10 kHz	20*log(N)+3	dBc/Hz

RADITEK Phase Locked Oscillators 6.0-18.0 GHz, ER code-h1

RADITEK Phase Locked Oscillators (PLO's) use dielectric resonators for improved stability and phase noise. The oscillator is phase locked to a crystal oscillator reference (external or internal).

External Reference PLO 6 to 18GHz (Frequency to Reference ratio > 100)

