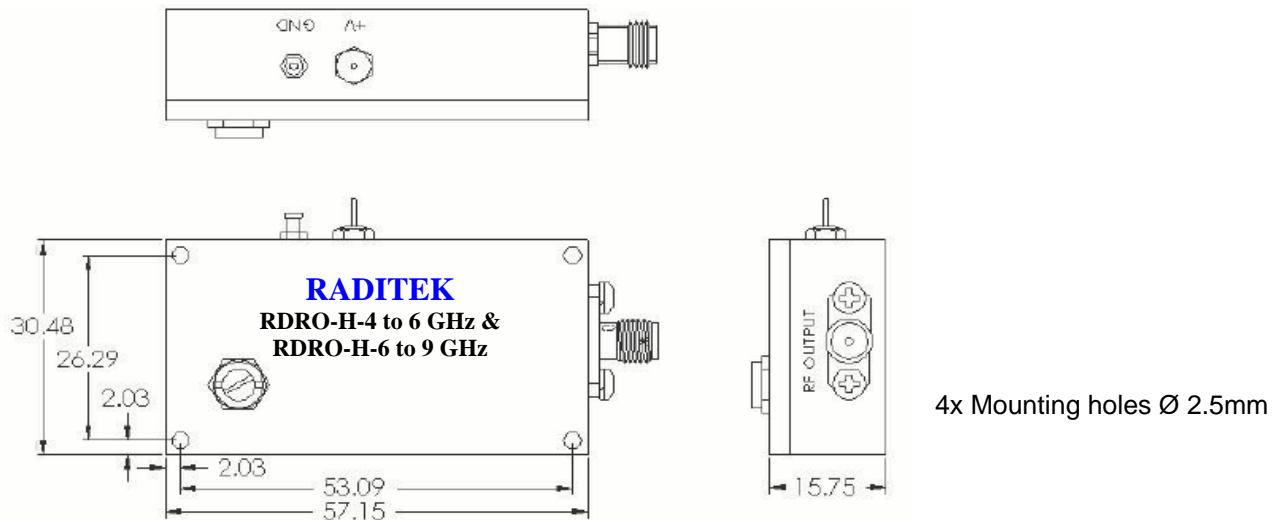


RDRO H Series Dielectric Resonant Oscillators, 4.0-18.0GHz 12-13dBm Output Power, 12-24Volts

Specifications					Units
Output Frequency	4 to 6	6 to 9	9 to 12	12 to 18	GHz
Output Power	+13	+12	+12	+12	dBm
Variation Over Temperature	±1	±1	±1	±1	dBm
Output Impedance	50	50	50	50	Ohm
Load VSWR	1.5:1	1.5:1	1.5:1	1.5:1	
Frequency Pulling	±1.0	±1.5	±2.0	±2.0	MHz
Supply Voltage	+12 to +24	+12 to +24	+12 to +24	+12 to +24	Vdc
Supply Current	75	75	75	75	mA
Spurious	-80	-80	-80	-80	dBc
Harmonics	-20	-25	-30	-30	dBc
Phase Noise @ 10 kHz offset	-100	-97	-90	-85	dBc/Hz
Phase Noise @ 100 kHz offset	-120	-118	-115	-110	dBc/Hz
Mechanical Tuning Range	2	2	2	2	%
Tuning Voltage Range (option)	1 to 12	1 to 12	1 to 12	1 to 12	V
Frequency Stability	5	5	5	5	ppm/°C
Connectors: RF Output Supply Voltage Ground	SMA(F) Feedthru Solder Lug	SMA(F) Feedthru Solder Lug	SMA(F) Feedthru Solder Lug	SMA(F) Feedthru Solder Lug	
Operating Temperature	-30 to +70	-30 to +70	-30 to +70	-30 to +70	°C
Storage Temperature	-45 to +85	-45 to +85	-45 to +85	-45 to +85	°C

Order Examples: RDRO-H-6.0-12d-(12-24v)

Dielectric Resonant Oscillator, 6.0 GHz, 12dBm RF Power, 12-24 Volts



RDRO-H-4-18G-12-13d-(12-24v)-h1

Specifications may be subject to change

02/03/11

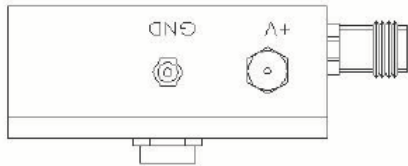
WORLD HQ: 1702L Meridian Ave. Suite 127, San Jose, Ca 95125, U.S.A.

Telephone: (408) 266-7404 FAX: (408) 266-4483

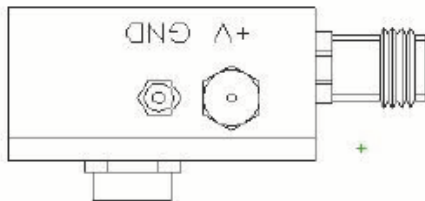
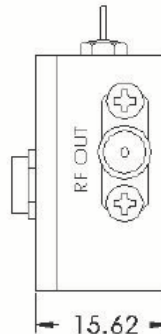
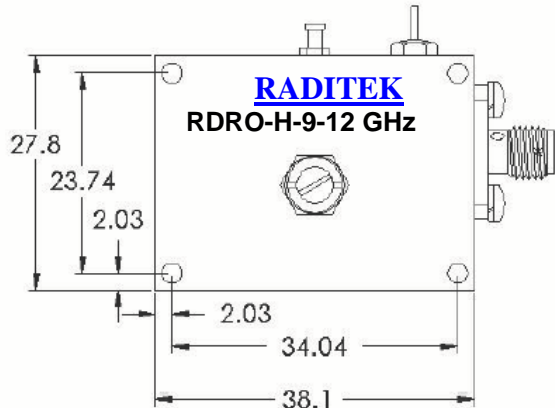
WEB: www.raditek.com, E-mail: sales@raditek.com

RDRO H Series

**Dielectric Resonant Oscillators, 4.0-18.0GHz
12-13dBm Output Power, 12-24Volts**



4x Mounting holes \varnothing 2.5mm



4x Mounting holes \varnothing 2.5mm

