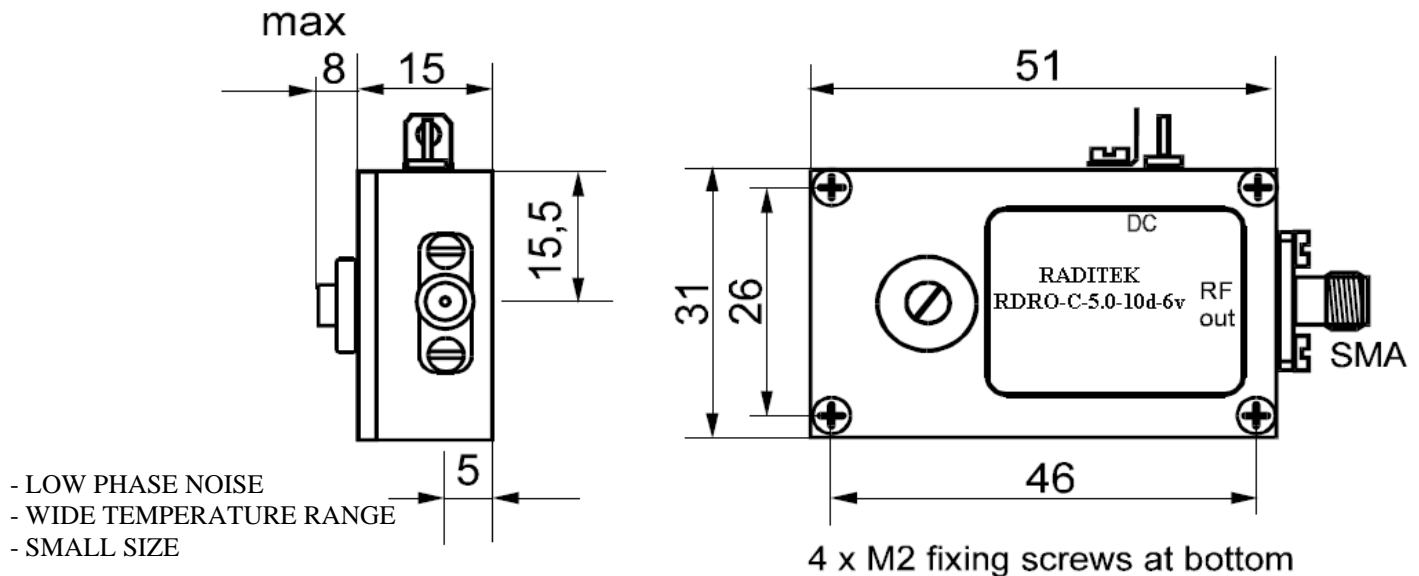


Dielectric Resonant Oscillator, 5.0-13.0GHz 10dBm Output Power, 6 Volts RDRO-C-5.0-13.0-10d-6v

(MECHANICALLY TUNED)

This family of Mechanically Tuned Dielectric Resonant Oscillators is intended for use in signal sources, which can be found in industrial, military and scientific equipment. It's wide band mechanical tuning capability and its low phase noise makes it exceptionally suitable for use in local oscillators.



Order Examples: RDRO-C-7.0-10d-6v

Dielectric Resonant Oscillator, 7.0 GHz, 10 dBm RF Power, 6 Volts DC Power

Specifications		Units
Frequency	5-13	GHz
Mechanical Tuning Range	$> \pm 0.5$	%
Frequency Stability (*)	$< \pm 300$ (± 3 MHz @ 10 GHz)	ppm
RF Power	10	dBm (min)
Phase Noise @ 100kHz	-110	dBc/Hz
Harmonics	-25	dBc
Spurious	< -90	dBc
Output VSWR	2	:1 (max)
Frequency Pulling (**)	$< \pm 500$	kHz
Frequency Pushing (**)	< 1	MHz / V
DC Power Supply	+ 6V / 60	mA
Operating Temperature	- 20 to +60	°C

Notes: (*) -20 ... +60 °C

(**) @ 12 dB return loss

RDRO-C-5.0-13.0G-10d-6v-c1

Specifications may be subject to change

02/03/11

WORLD HQ: 1702L Meridian Ave. Suite 127, San Jose, Ca 95125, U.S.A.

Telephone: (408) 266-7404 FAX: (408) 266-4483

WEB: www.raditek.com, E-mail: sales@raditek.com