

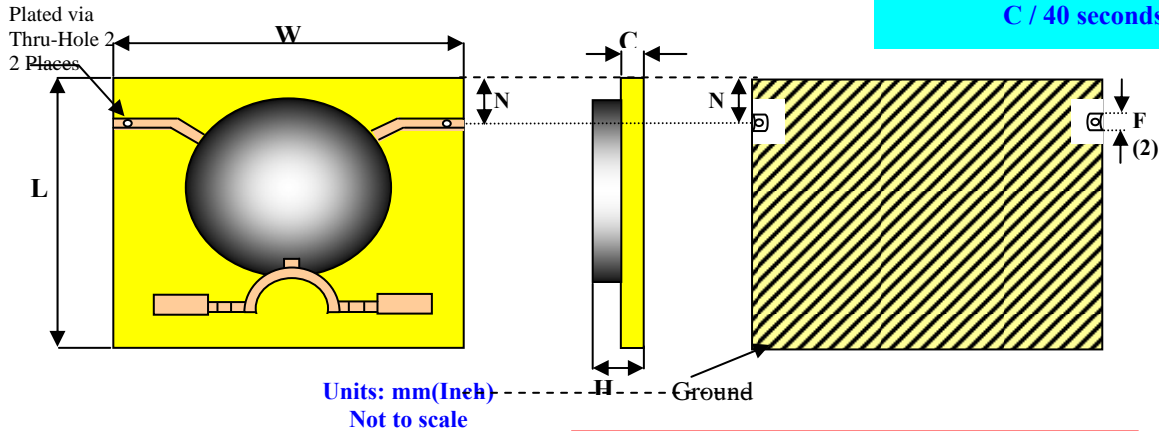
Microstrip Substrate Isolator/ Circulator, Surface Mount 7 to 26GHz

code b

Typically < 1W power handling

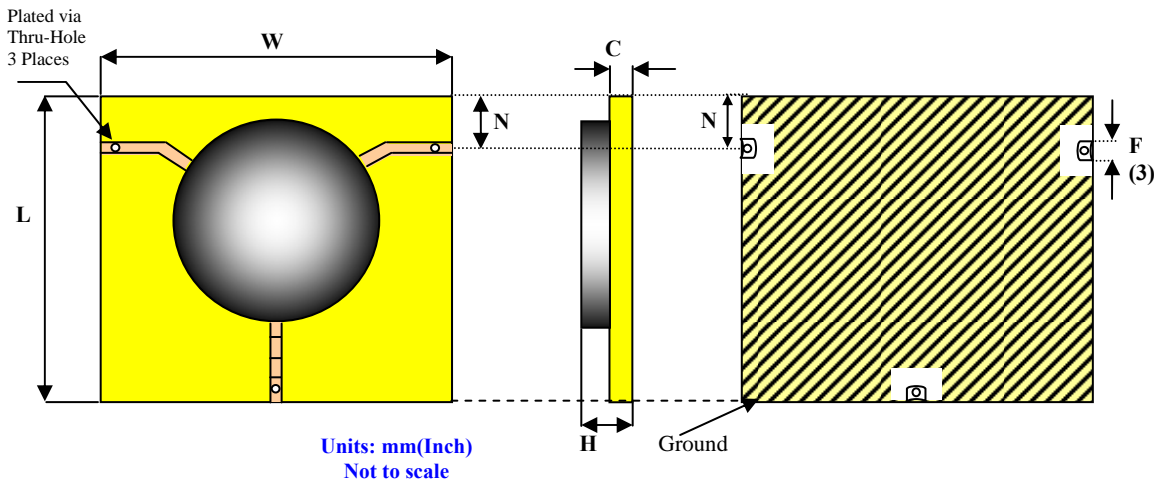
ISOLATOR DRAWING

For lead free reflow profile,
ensure peak temperature <250°
C / 40 seconds



Typical Part # **RADI-5.85-6.4-MSS-0.5WR-S**

CIRCULATOR DRAWING



Typical Part # **RADC-5.85-6.4-MSS-0.5WR-S**

Direction of RF:		
R	Default	▶
L		◀

∅ Order Examples: **RADI/C-F1-F2-MSS-1WR-S**
I=ISOLATOR / C=CIRCULATOR

“R” Clockwise Direction // “L” Counter Clockwise Direction
Mounted on non magnetic carrier or base
Humidity 5 to 95% non-condensing
Storage Temperature -40 to 130C
Units in mm
There must be a ground plane with 100% solder connection, under the part

RADC or I-MSS-SMT-b

Specifications may be subject to change

01/27/11

WORLD HQ: 1702L Meridian Ave. Suite 127, San Jose, Ca 95125, U.S.A.

Telephone: (408) 266-7404 FAX: (408) 266-4483

WEB: www.raditek.com, E-mail: sales@raditek.com

RADITEK, INC.



Microstrip Substrate Isolator/ Circulator, Surface Mount 7 to 26GHz

code b

Frequency GHz	I/C	W mm	L mm	H mm max	C mm Ref	N mm	F mm Pad width	In. loss (dB) Max	Isol. (dB) Min	VSW R :1	Pwr Fwd (W)	Pwr Rev (W)	
7.1-8.6	C	10	9	4	0.635	2.5	0.43	0.8	18	1.3	1	1	
8.5-11.0	I	10	9	5				0.8	17	1.40	1	1	-40 to +85C , b
9-10	C	10	9	4	0.635	2.5	0.43	0.6	18	1.3	1	1	p
9.0-10.5	I/C	10	9	4	0.635	2.5	0.43	0.6	20	1.25	1	0.2	
9.2-9.6	I/C	10	9	4	0.635	2.5	0.43	0.5	20	1.25	3	0.2	p
12.75-14.5	I	7	7	4	0.50	1.5	0.43	0.6	19	1.3	1	0.2	provisional
13.75-14.5	I	7	7	4	0.50	1.5	0.43	0.5	20	1.25	1	0.2	to be confirmed
14.5-15.35	C	8	8	tba	tba	tba	0.35	0.8	15	1.50	2	2	-40 to +85C
15.9-16.1	I	6	6	4	0.38	1.2	0.5	0.9	20	1.35	1	0.2	SO 8437
17.7-19.7	I	6	6	4	0.38	1.2	0.5	0.9	20	1.35	1	0.2	SO 8437
23-25	I	4	4	3	tba	1.2	0.38	1.1	18	1.30	2		RFQ 18679 *

* For use on Taconic TLY-5-005-CH-CH 0.127" +/- 0.025" thick, 1/2 oz copper clad