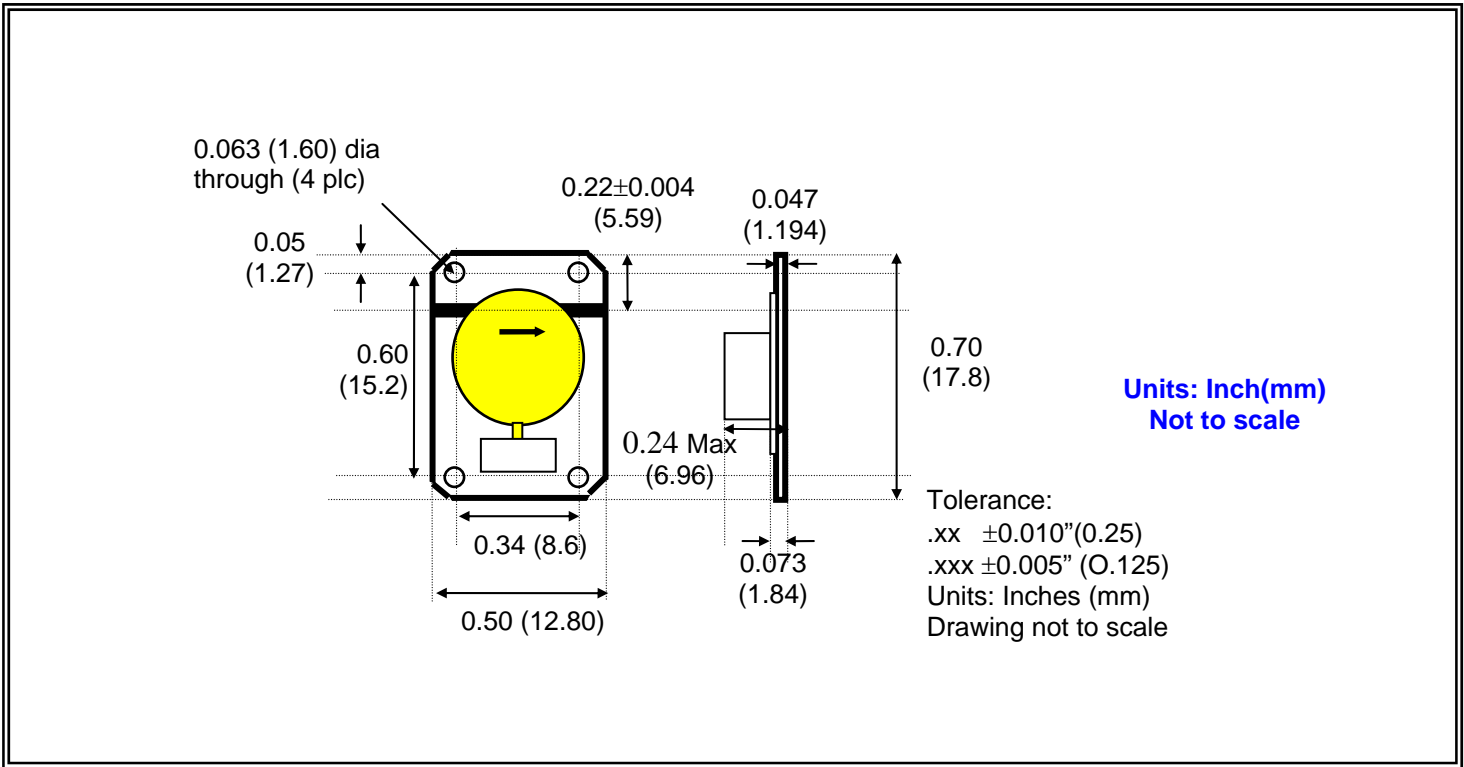


5.8-7.2 GHz, 6.2-7.2 GHz, 7.8-8.5 GHz Microstrip isolators RADI-5.8-7.2-MS-3W, RADI-6.2-7.2-MS-3W, RADI-7.8-8.5-MS-2W



Specifications:		Units
Frequency	5.8 to 7.2 6.2 to 7.2 7.8 to 8.5	GHz BW=1400MHz (24.1%) GHz BW=1000MHz (14.9%) GHz BW=700MHz (9.0 %)
Insertion loss	0.5	dB (maximum)
Isolation	20 19	dB (minimum) For RADI-5.8-7.2 only
VSWR	1.22:1 max. 1.3:1 max.	All ports For RADI-5.8-7.2 only
Rated power (forward and reflected)	2, 3	Watts (average)
Operating temperature	-10 to 70	°C
Storage temperature	-40 to 85	°C
Material	Nickel plated steel carrier	
Metalization	Thin film, (100µm Gold on Nickel/silver)	Suitable for solder or thermo-compression bond