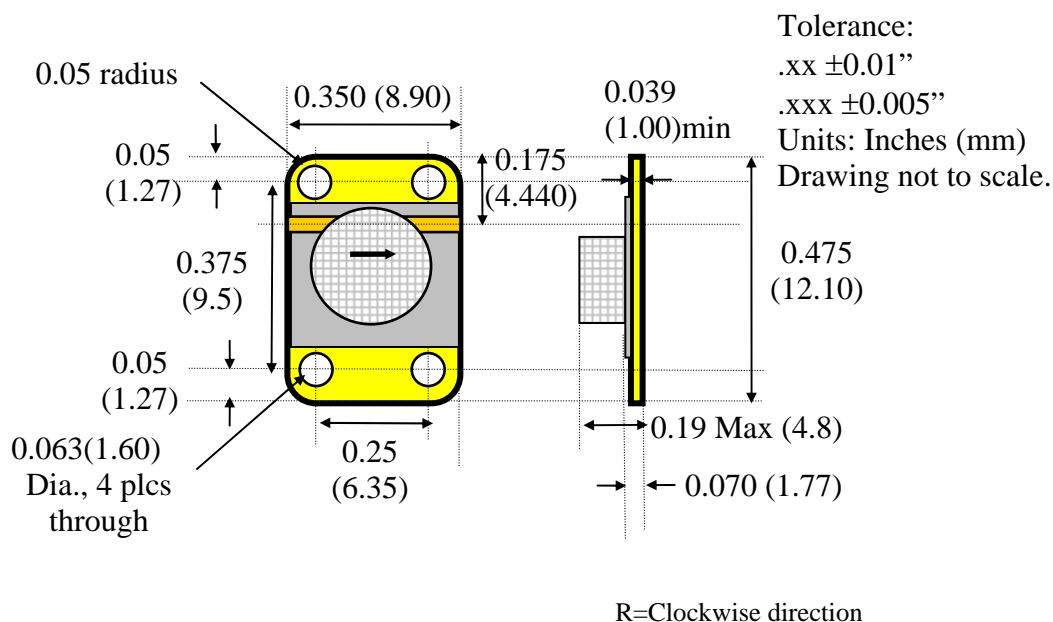


# RADITEK

## Isolator, Microstrip 13.7 to 18.2 GHz (3 Bands)

**RADI-13.7-14.7-MS-2WR**  
**RADI-16.62-17.71-MS-2WR**  
**RADI-17.2-18.2-MS-2WR**



Units: Inches (mm)

Specifications:		
Frequency	13.7 to 14.7 16.62-17.71 17.2 to 18.2	GHz BW=1000 MHz GHz BW=109 MHz GHz BW=1000MHz
Insertion loss	0.65	dB (maximum)
Isolation	20	dB (minimum)
VSWR	1.22:1 max. (20 dB R.Loss)	All ports
Rated power	2 (forward and reflected)	Watts (average)
Operating temperature	-10 to 70	°C
Storage temperature	-40 to 85	°C
Material	Nickel plated steel carrier	
Metalization	Thin film Gold on Copper	Suitable for solder or thermo-compression bond