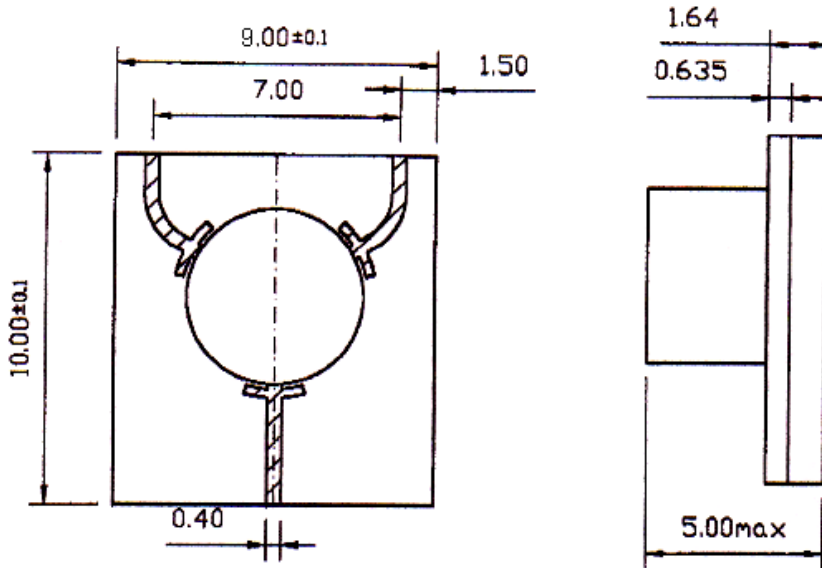


## MSSM Metal Backed Substrate, Circulator, Wide Band RADC-8.0-12.0-MSSMY-WB-10WR-b



**Tolerance Table Metric (inch)**  
(unless otherwise stated):

Hole diameter +/- 0.1mm, (+/- 0.004")  
 Dimensions (w\*I\*h) +/- 0.3 mm, (+/- 0.015")  
 Dimensions (Coax Connector position ) +/- 0.3mm, (+/- 0.012")  
 Dimensions (Microstrip pad, Stripline Tab, Waveguide Slot Position, +/- 0.1mm, (+/- 0.04")  
 Dimensions (hole position) +/- 0.1mm, (+/- 0.04")  
**Machined surfaces**  
 Flatness 0.025/mm, (0.001/ inch)  
 Bend radius 0.8mm, (0.031" or 1/32")

**Units: mm**  
**Not to scale**

Direction of RF:	
R	Default ▶
L	◀

Order Examples: RADC-8.0-12.0-MSSMY-WB-10WR  
**C=CIRCULATOR**

Specifications		Units
Frequency Range	8.0-12.0	GHz
Insertion Loss	0.7	dB
Isolation	17	dB
VSWR	1.35	:1
Power Peak	10	Watts
Phase match@ center freq	±5	°
Operating Temperature Range	-55 to +85	°C
Storage Temperature	130	°C (max)

**Notes:**

1. Tuning conductor (97In3Ag) optional location and configuration determined by customer.
2. Humidity 5 to 95% non-condensing.
3. Maximum temperature during welding process: +350°C @ 25 msec.