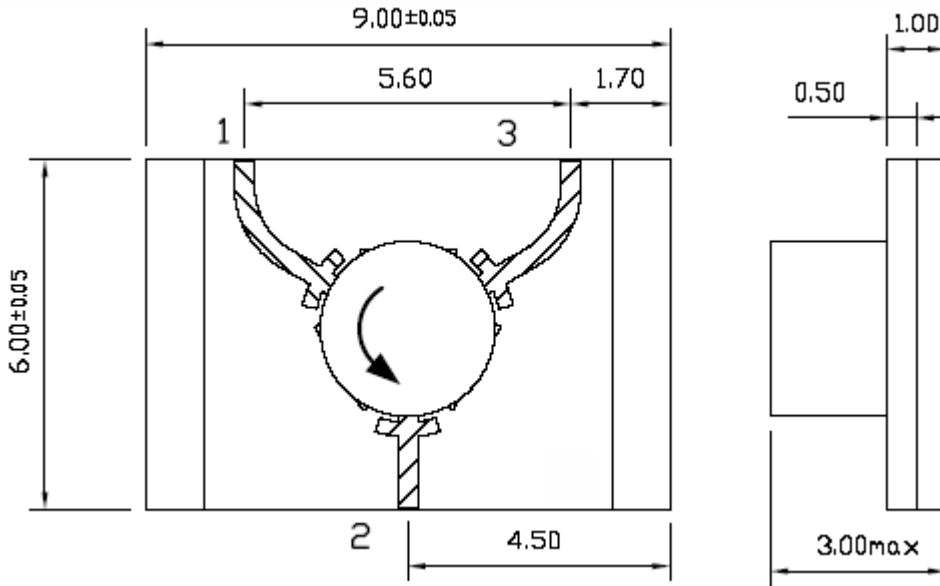


## Circulator, Y Shape, Metal Backed Substrate, RADC-12.0-13.5-MSSMY-3WL (10W Pk)-(9x6)-b



Units: mm  
Not to scale

Direction of RF:	
R	Default ▶
L	◀

Order Examples: RADC-12.0-13.5-MSSMY-3WL(10W Pk)-(9x6)-b  
C=CIRCULATOR

Specifications		Units
Frequency:	12.0-13.5	GHz
Power Peak	10	Watts
Power Average	3	Watts
Operational Temperature	-10 to 85@ CW up to 130°C for 2 minutes max	°C
Return loss @ all ports	17.7	dB max
Insertion loss @ Port 1 to Port 2	0.5	dB max
Insertion loss @ Port 2 to Port 3	0.5	dB max
Isolation @ all ports	18	dB min
Direction	anticlockwise	
Terminal connections (see note 1 at attached drawing)	Ground Signal Ground 250 Micrometer pitch	
<b>Environmental Conditions</b>		
Temperature:	-25°C to 85°C	
Storage Temperature	-55 to +125°C	
Mechanical Shock:	25g for 11msec	