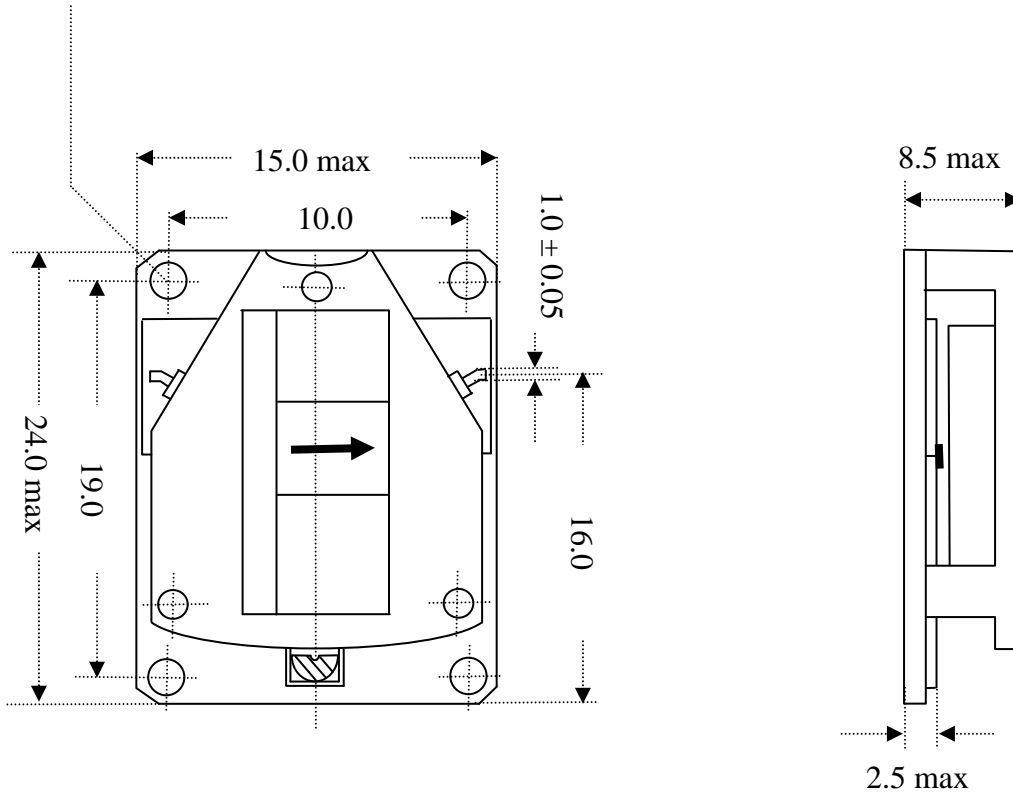


## Microstrip, Isolator 8-12 GHz RADI-8-12-MS-1WR

code-b



Units are (mm)  
not to scale

### Specifications:

Frequency	8-12	GHz
Insertion loss	0.7	dB
Isolation	20	dB
VSWR (in and out)	1.3:1 max.	
Power handling	1	Watts (max.)
Operating temperature	-30 to +70	°C