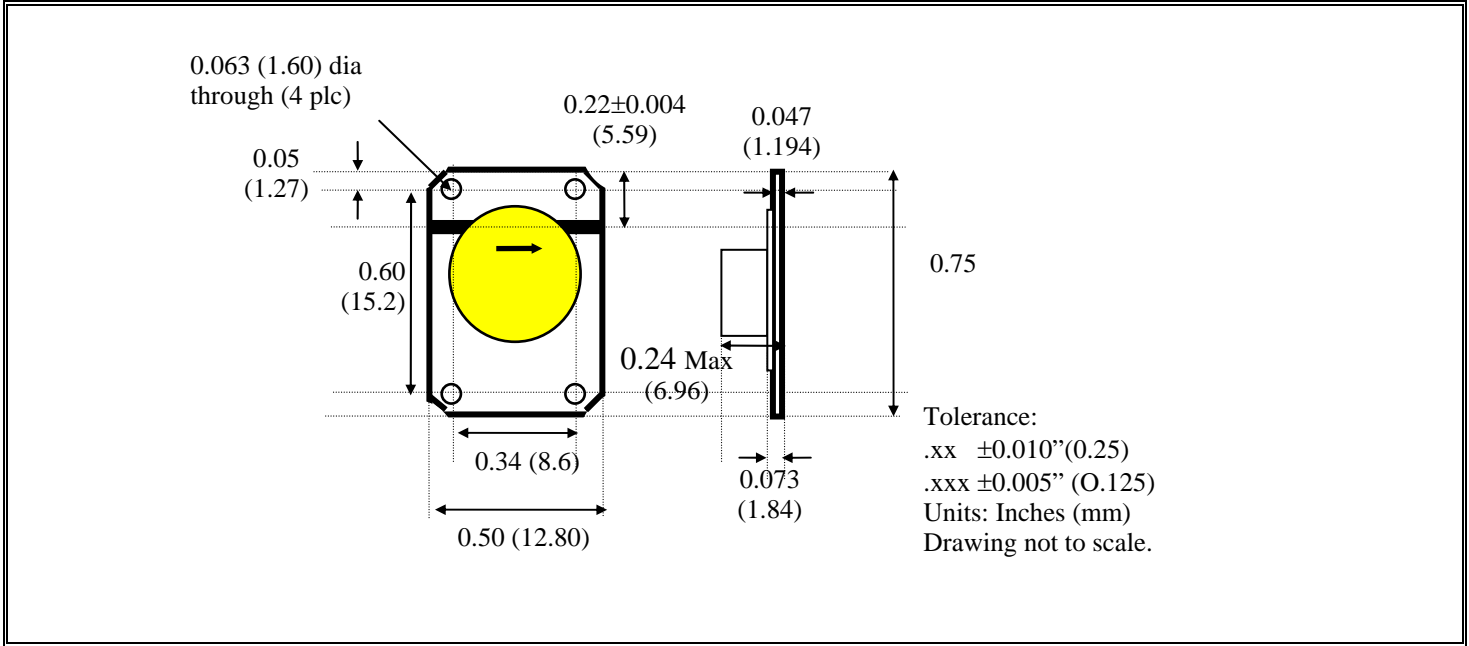


Microstrip Isolators, 7.8-8.5 GHz 10W RADI-7.8-8.5-MS-10W-0.5" wide

code-e



Units: Inches (mm)

Specifications:		Units
Frequency	7.8 to 8.5	GHz
Insertion loss	0.6	dB (maximum)
Isolation	20	dB (minimum)
VSWR	1.35:1 max.	All ports
Rated power	10	Watts (average)
Operating temperature	-25 to +80	°C
Material	Nickel plated steel carrier	
Metalization	Thin film, (100µm Gold on Nickel/silver)	Suitable for solder or thermo-compression bond