

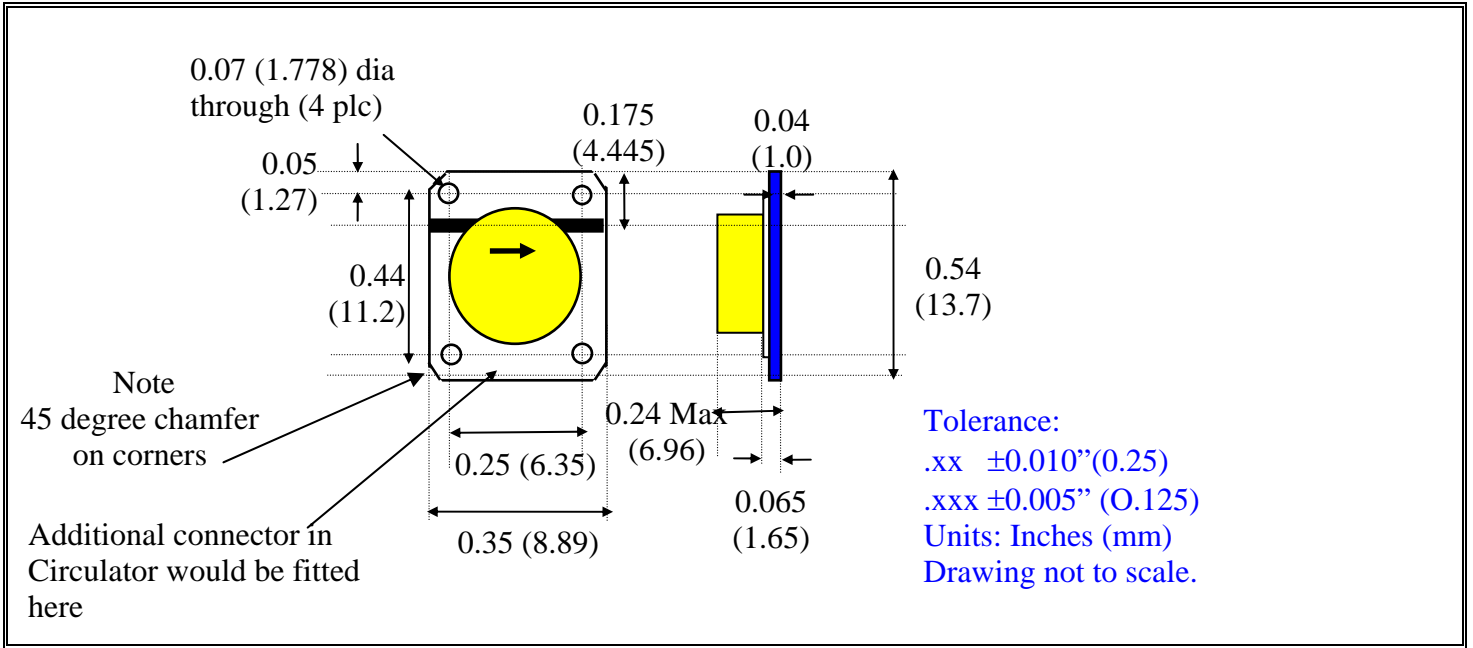
RADITEK INC.



Microstrip Isolator (Circulator), 7.8-8.5 GHz 0.25W (max)

code-e

RADI-7.8-8.5-MS-0.25W-0.35" wide



Units: Inches (mm)

Specifications:		Units
Frequency	7.8 to 8.5	GHz BW=700MHz (9.0 %)
Insertion loss	0.5	dB (maximum)
Isolation	20	dB (minimum)
VSWR	1.22:1 max.	All ports, (20dB RL)
Rated power	0.25 (forward and reflected)	Watts (average)
Operating temperature	-10 to 70	°C
Storage temperature	-40 to 125	°C
Material	Nickel plated steel carrier	
Metalization	Thin film, (100µm Gold on Nickel/silver)	Suitable for solder or thermo-compression bond

RADI-7.8-8.5-MS-0.25W-0.35 inch-e

Specifications may be subject to change

01/27/11

WORLD HQ: 1702H Meridian Ave. Suite 127, San Jose, Ca 95125, U.S.A.

Telephone: (408) 266-7404 FAX: (408) 266-4483

WEB: www.raditek.com, E-mail: sales@raditek.com