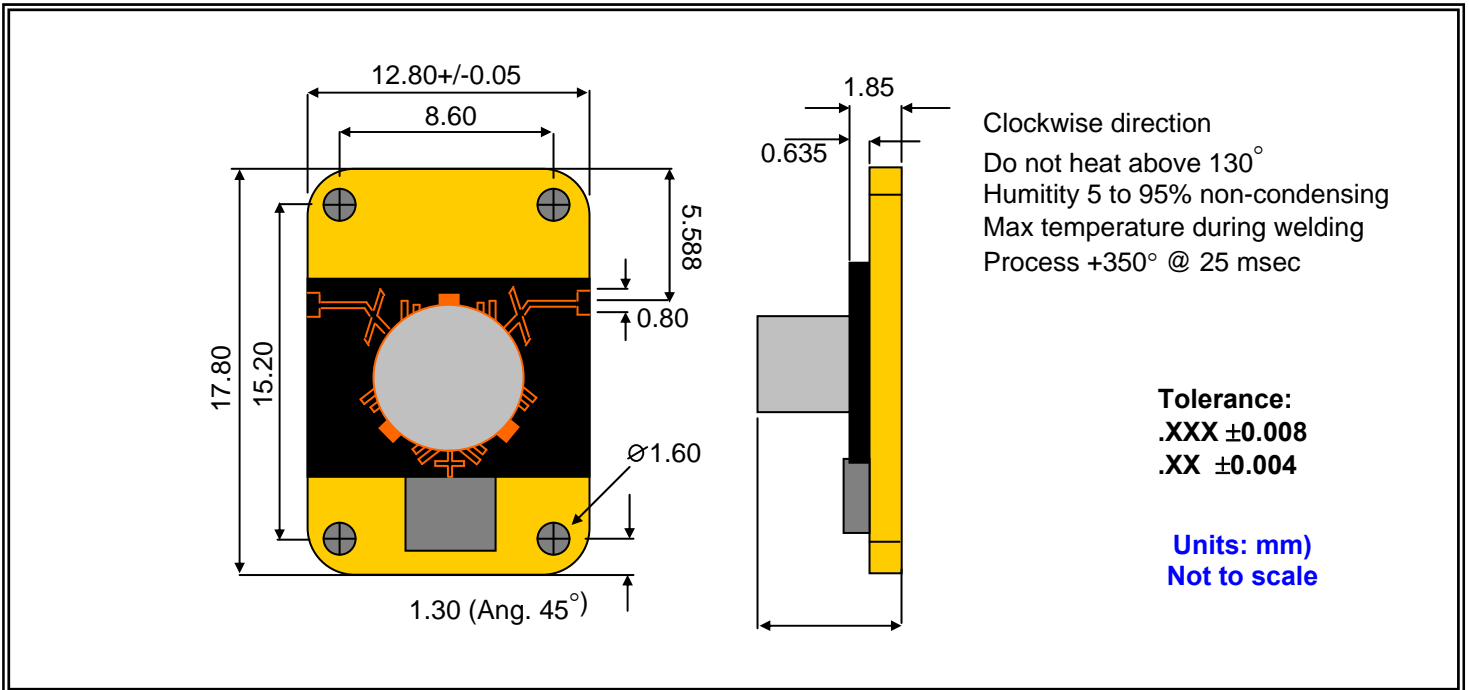


Microstrip Isolator, 6.4-7.2GHz, MS, 20 Watts RADI-6.4-7.2-MS-20WR



Direction of RF:	
R	Default ▶
L	◀

Order Examples: **RADI-6.4-7.2-MS-20WR**
I=ISOLATOR

Specifications:		Units
Frequency	6.4-7.2	GHz
Bandwidth	Full	
Insertion loss	0.6	dB (max)
Isolation	20	dB (min)
VSWR (return loss)	1.3	:1
Power rating	20	Watts (max)
Operating Temperature	-40 to +85	°C
Storage Temperature	130	°C max