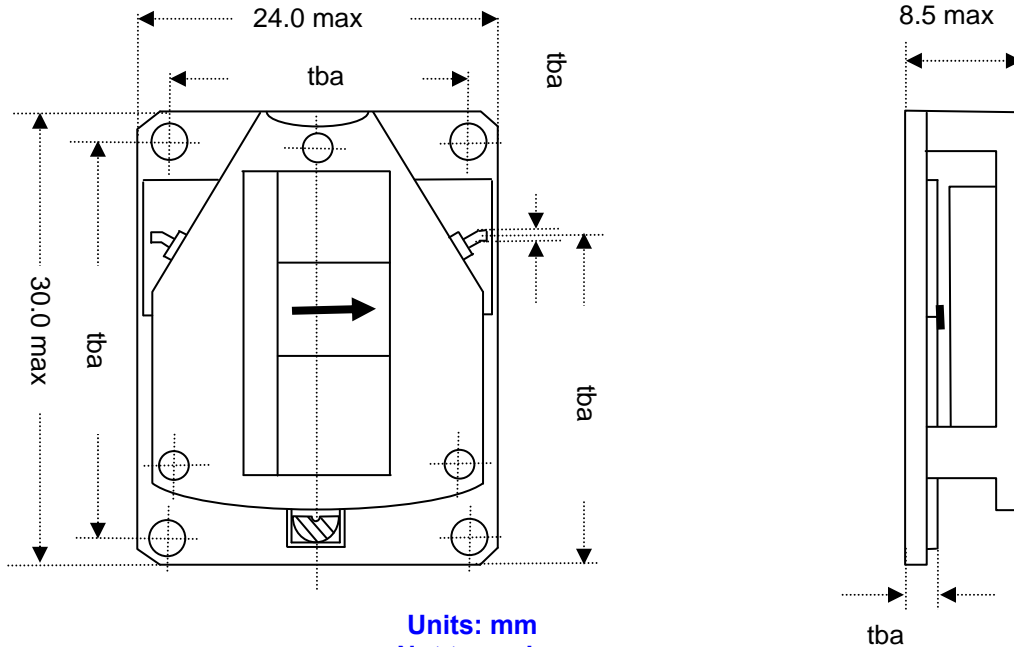


## Microstrip, Isolator, 6-12GHz and 7-11GHz 1 - 2 Watts



Units: mm  
Not to scale

Direction of RF:	
R	Default <span style="color: red;">▶</span>
L	<span style="color: red;">◀</span>

Order Examples: **RADI-6-12-MS-1WR**  
**I=ISOLATOR**

### Specifications:

Frequency MHz	Insertion loss dB (max)	Isolation dB (min)	VSWR :1	Rev Power Watts	Fwd Power Watts	Temp °C
6-12	0.8 1.0	16 15	1.40 1.50	1	1	room -30 to +70
7-11	0.7	18	1.31	2	2	+25 -30 to +60