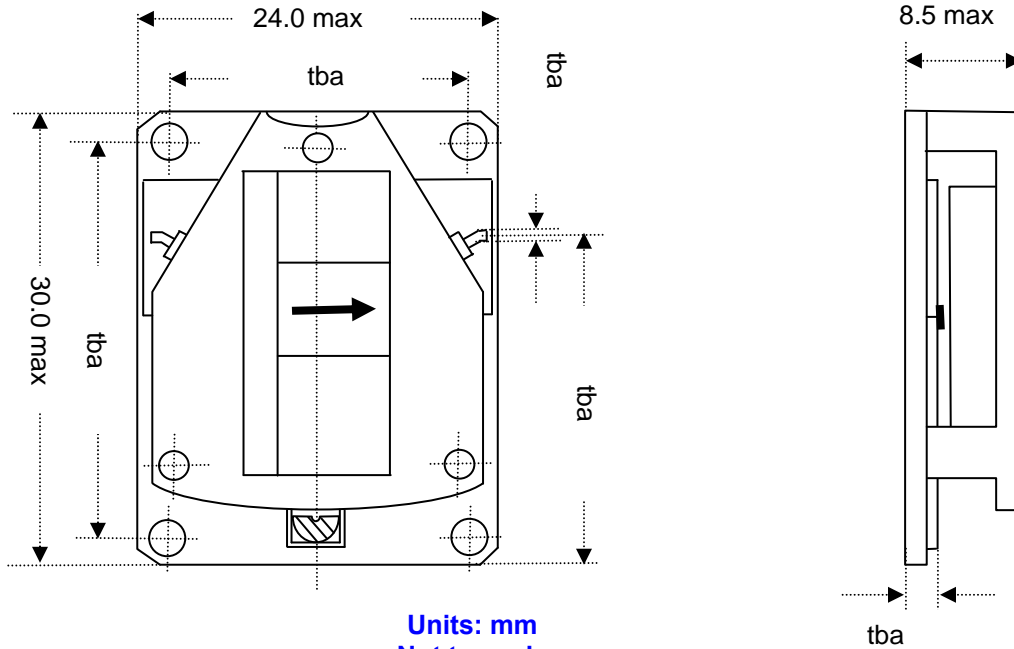


Microstrip, Isolator, 4-10GHz, Split Bands 1 Watt



Units: mm
Not to scale

Direction of RF:	
R	Default ▶
L	◀

Order Examples: **RADI-4-8-MS-1WR**
I=ISOLATOR

Specifications:

Frequency MHz	Insertion loss dB (max)	Isolation dB (min)	VSWR :1	Rev Power Watts	Fwd Power Watts	Temp °C
4-8	0.7	16	1.40	1	1	room -10 to +60
	0.8	15	1.50			
5-10	0.7	16	1.40	1	1	+25 -30 to +60
	0.9	15	1.50			