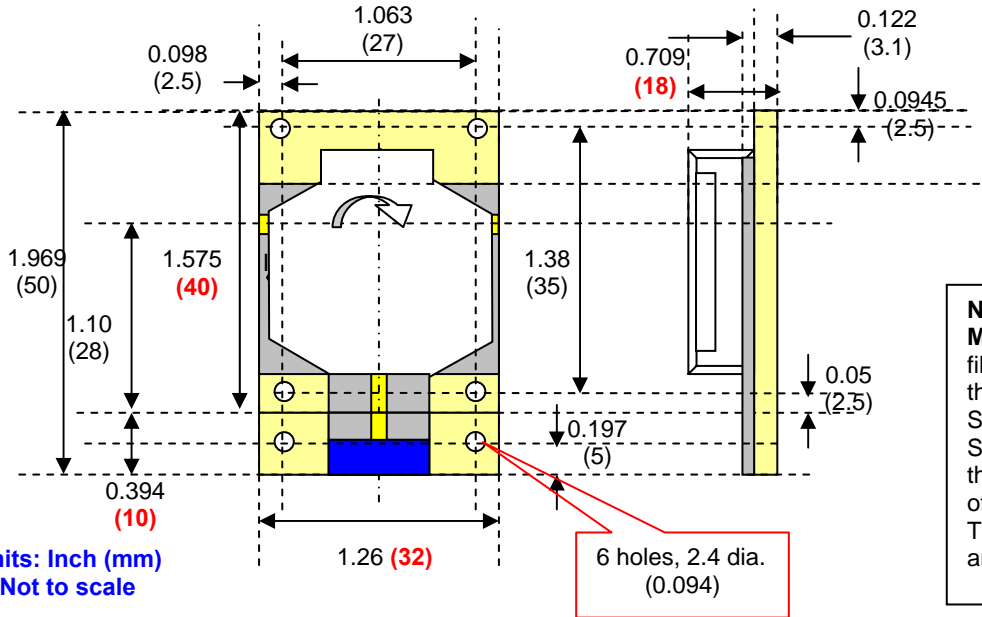


## Microstrip, Isolator 183-400 MHz 10, 25 or 50Watts



**Note:**  
**Microstripline pads** are thin film gold over a copper layer that will readily accept regular Sn Pb solder. Soldering is very easy due to the poor thermal conductivity of the ferrite. The interface is also ideal for any kind of gold bonding.

Direction of RF:	
R	Default →
L	←

Circulator versions available

Order Examples: **RADI-183-185M-MS-50WR**  
**I=ISOLATOR**

Specifications	183 to 185	183 to 185	190-210	210 to 230	230-250	240 to 260	Units
Frequency	183 to 185	183 to 185	190-210	210 to 230	230-250	240 to 260	MHz
Insertion loss	0.7	0.7	0.7	0.7	0.7	0.6	dB
Isolation	18	18	18	18	19	20	dB
VSWR (in and out)	1.25:1	1.25:1	1.3	1.3:1	1.28	1.25:1	(max.)
Forward power	100	100	100	100	100	100	Watts (max.)
Reverse power	0.1	10/25/50	50	50	50	50	Watts
Operating temperature	-25 to 55	-25 to 55	-25 to 55	-10 to 55	-25 to 55	-25 to 55	°C
Storage temperature	-40 to 85	-40 to 85	-40 to 85	-40 to 85	-40 to 85	-40 to 85	°C

**Typical frequency bands (others available)**

Specifications						Units	
Frequency				340 to 370	370 to 400	370 to 400	MHz
Insertion loss				0.6	0.4	0.5	dB
Isolation				20	23	20	dB
VSWR (in and out)				1.25:1	1.25:1	1.25	(max.)
Forward power				100	100	50	Watts (max.)
Reverse power				50	10/25/50	25	Watts
Operating temperature				-25 to 55	-25 to 55	-25 to 55	°C
Storage temperature	-40 to 85	-40 to 85	-40 to 85	-40 to 85	-40 to 85	-40 to 85	°C