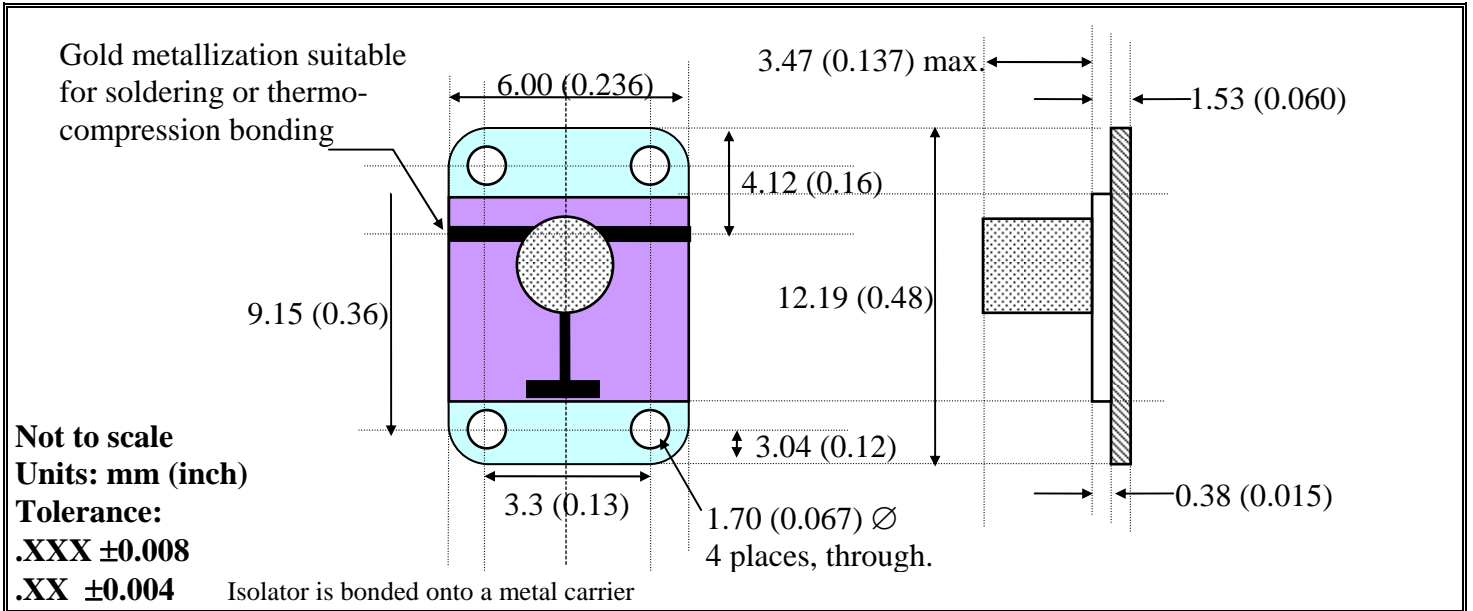


Isolator, Microstrip, 18.4 to 24.1 GHz RADI-18.4-24.1-MS-1WR

code-b



Specifications:	Full Band	Units
Frequency (center)	18.4 to 24.1	GHz
Insertion loss	1.3	dB (maximum)
Isolation	17	dB (minimum)
VSWR (return loss)	1.30:1	
Power rating	1 (forward and reflected)	Watts (maximum)
Operating temperature	-30 to 70	$^{\circ}\text{C}$