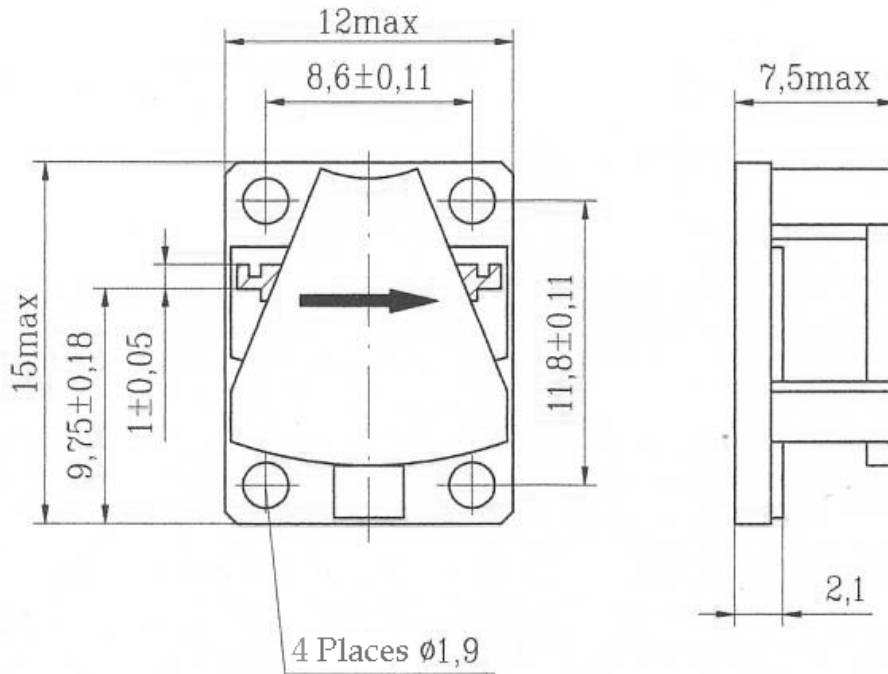


## Microstrip Isolators, 12-18GHz RADI-12-18-MS-2WR-b



<b>Tolerance Table Metric (inch)</b> (unless otherwise stated):	
Hole diameter	+/- 0.1mm, (+/- 0.004")
Dimensions (w*h)	+/- 0.3 mm, (+/- 0.015")
Dimensions (Microstrip pad, Stripline Tab, Dimensions (hole position)	+/- 0.1mm, (+/- 0.04")
<b>Machined surfaces</b>	
Flatness	0.025/mm, (0.001/ inch)
Bend radius	0.8mm, (0.031" or 1/32")

**Units: mm**  
**Not to scale**

**Do not heat above 130°C**  
**Max temperature during welding process +350°C @ 25m sec**

<b>Direction of RF:</b>	
<b>R</b>	Default ▶
<b>L</b>	◀

Order Examples: **RADI-12-18--MS-2WR-b**  
**I=ISOLATOR / C=CIRCULATOR**

<b>Specifications:</b>		<b>Units</b>
Frequency	12-18	GHz
Insertion loss	0.7	dB
Isolation	17	dB
Return Loss	1.35	:1
Load power	2	Watts
Power Handling	5	Watts
Operating temperature	-40 to +75	°C