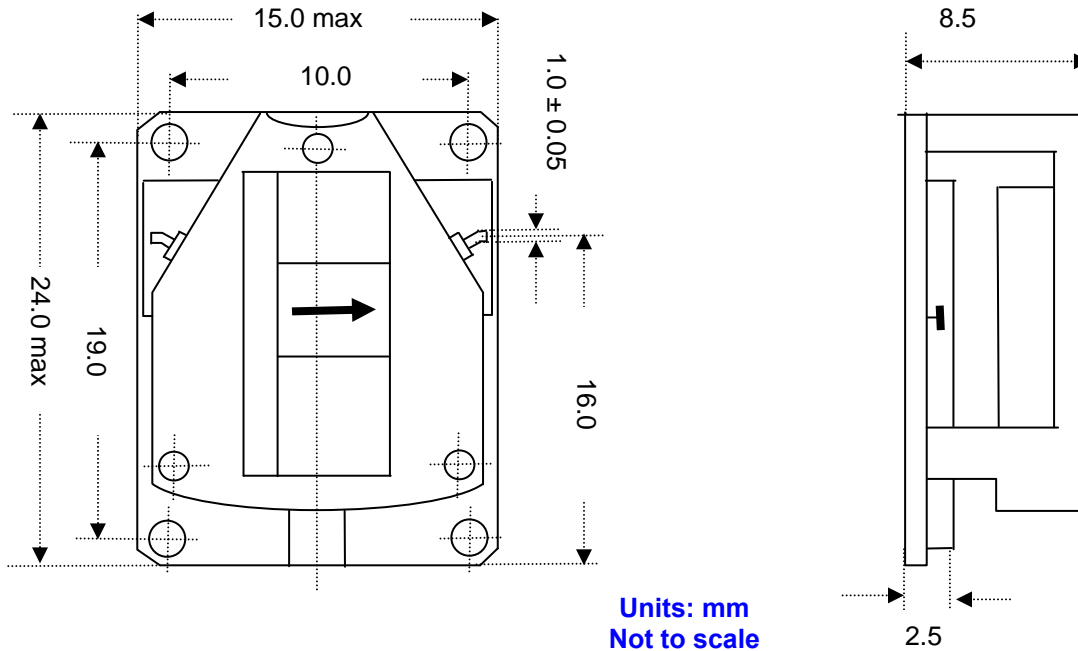


Microstrip, Circulator 8-12 GHz, Split Bands

RADC-8.4-10.0-MS-2WR

RADC-8-12-MS-1WR/ 10W PK



Units: mm
Not to scale

Direction of RF:	
R	Default ▶
L	◀

Order Examples: **RADC-8.4-10.0-MS-2WR**
C=CIRCULATOR

Specifications:

Frequency MHz	Insertion loss dB (max)	Isolation dB (min)	VSWR :1	Avg Power Watts	Peak Power Watts	Temp °C
8.4-10.0	0.7 0.9	20 18	1.30	2	100	room -40 to +55
8-12	0.7 0.9	20 17	1.3 1.4	1	10	room -55 to +85