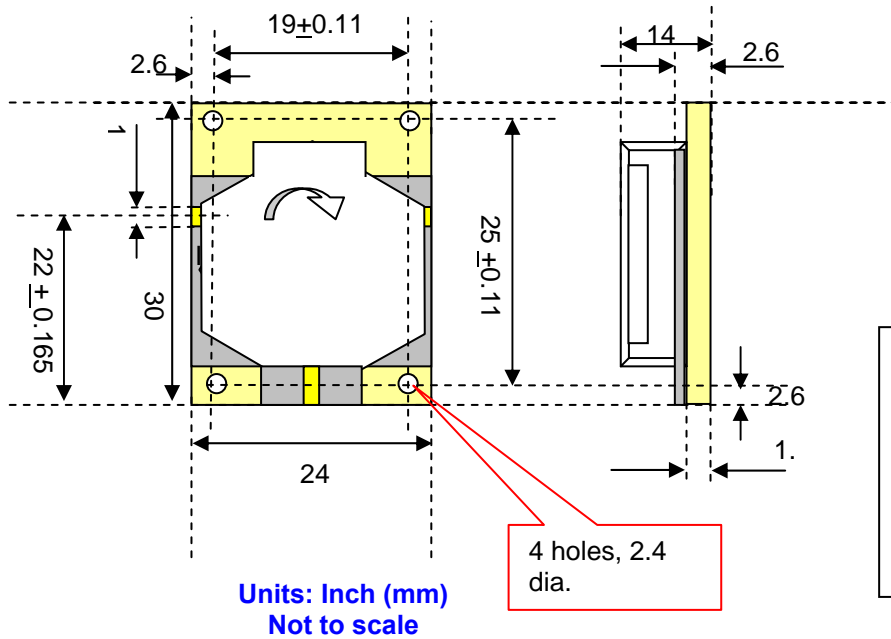


## Microstrip, Circulator 657-741 MHz RADC-657-741M-MS-5WR



**Note:**  
Microstripline pads is thin film gold over a copper layer, that will readily accept regular Sn Pb solder. Soldering is very easy due to the poor thermal conductivity of the ferrite. The interface is also ideal for any kind of gold bonding.

Direction of RF:	
R	Default ▶
L	◀

Order Examples: **RADC-657-741M-MS-5WR**  
**C=CIRCULATOR**

Typical frequency bands (others available)

Specifications		Units
Frequency	<b>657 to 741</b>	MHz
Insertion loss	0.6	dB
Isolation	20	dB
VSWR (in and out)	1.3:1 max.	
Forward power handling	5	Watts (max.)
Reverse power	5	Watts
Operating temperature	-25 to 55	°C
Storage temperature	-40 to 85	°C