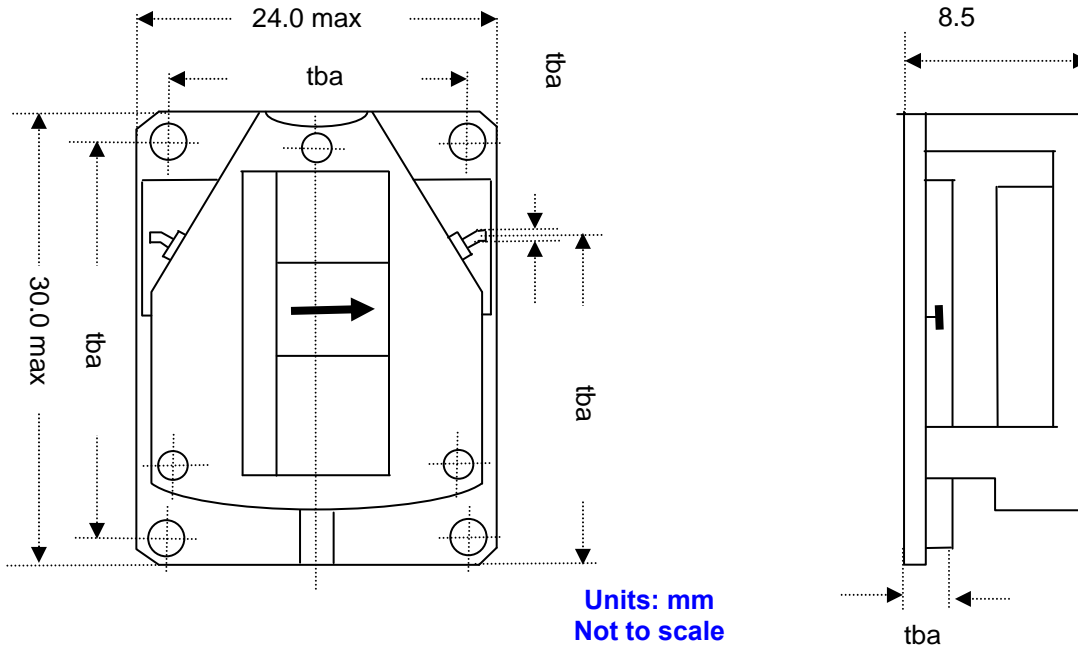


Microstrip, Circulator, 4-8GHz RADC-4-8-MS-1WR



Direction of RF:	
R	Default
L	

Order Examples: **RADC-4-8-MS-1WR**
C=CIRCULATOR

Specifications:

Frequency MHz	Insertion loss dB (max)	Isolation dB (min)	VSWR :1	Avg Power Watts	Temp °C
4-8	0.7 0.8	16 15	1.40 1.50	1	room -10 to +60