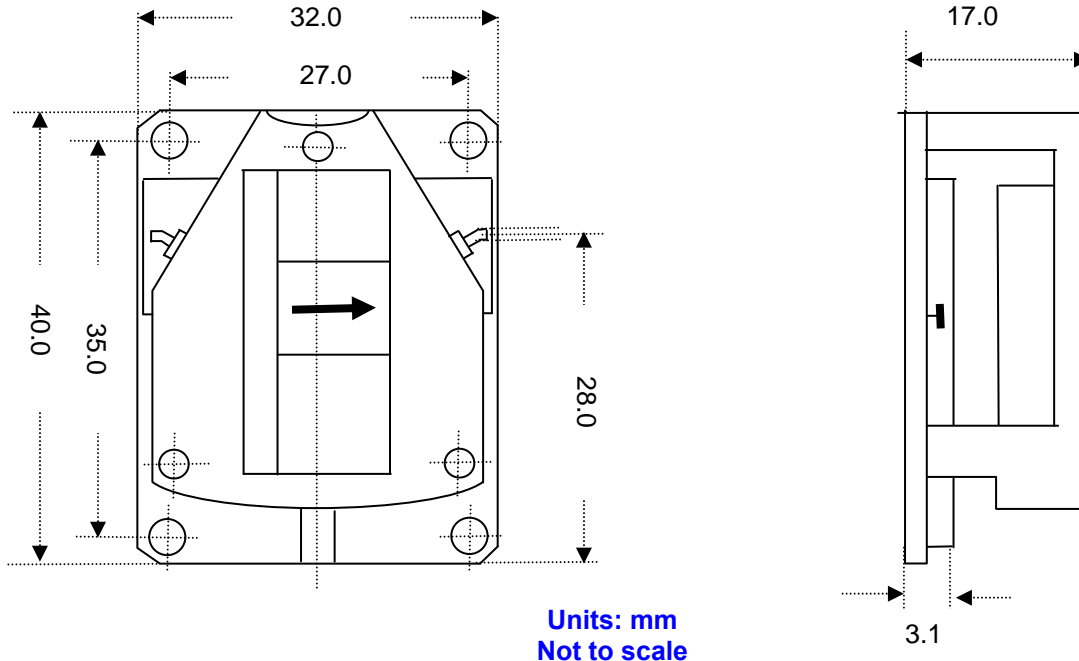


Microstrip, Circulator, 325-355 MHz, 10 Watts RADC-325-355M-MS-10WR



Units: mm
Not to scale

Direction of RF:	
R	Default
L	

Order Examples: RADC-325-355M-MS-10WR
C=CIRCULATOR

Specifications:

Frequency MHz	Insertion loss dB (max)	Isolation dB (min)	VSWR :1	Avg Power Watts	Peak Power Watts	Temp °C
325-355	0.8 1.0	18 16	1.3 1.4	10	100	room 0 to +60