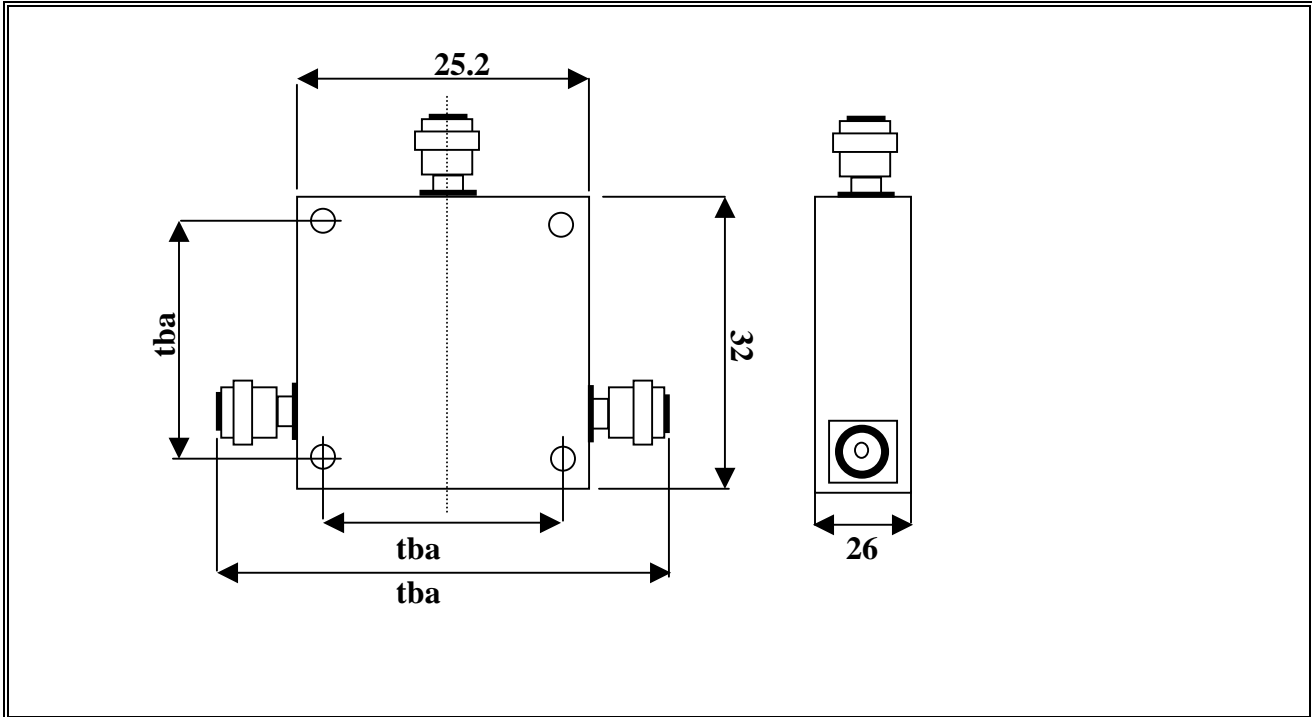


# RADITEK INC.

## Coaxial Isolators

### RADI-1930-1990M-de1-N3-75W (750W Peak)



Units: mm  
Not to scale

Specifications:	1930-1990	MHz
Insertion loss	0.3	dB (maximum)
Isolation	20	dB (minimum)
Return Loss	1.2	dB (minimum)
Rated power	75	Watts (average)
Rated power (reverse)	75	Watts (average)
Rated power (Pulse)	750	Watts (Peak)
Operating temperature	tba	°C

#### Connector options (X)

		iso	circ	circ
Port 1	Port 2	iso	port 3 male	port 3 female
female	male	-1	-11	-21
male	female	-2	-12	-22
female	female	-3	-13	-23
male	male	-4	-14	-24

#### Tolerance (unless stated otherwise):

Hole diameter	±0.004
Dimensions	±0.015
Machined surfaces	√63
Flatness	±0.001/inch
Bend radius	1/32 inch

RI-1930-1990M-N3-75W 750W Peak Specifications may be subject to change

01/14/04

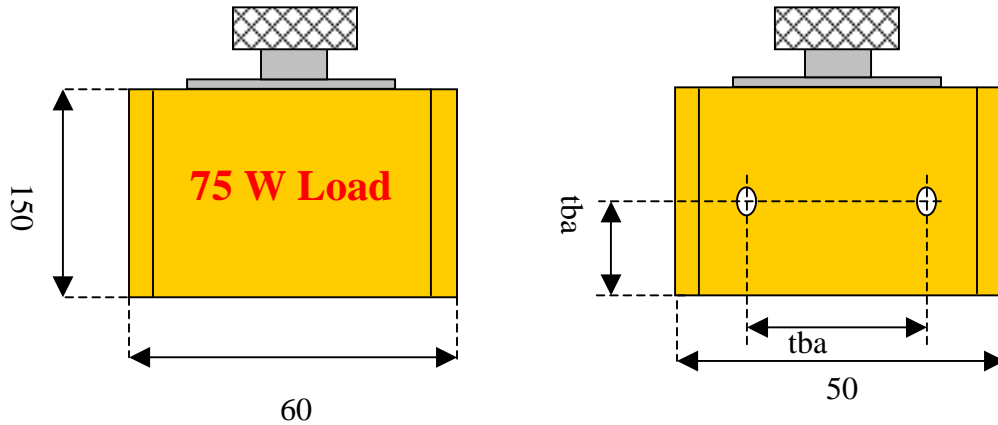
WORLD HQ: 1702H Meridian Ave. Suite 127, San Jose, Ca 95125, U.S.A.

Telephone: (408) 266-7404 FAX: (408) 266-4483

WEB: [www.raditek.com](http://www.raditek.com), E-mail: [sales@raditek.com](mailto:sales@raditek.com)

# Connectorized Load

Units in mm  
Not to scale



**RI-1930-1990M-N3-75W 750W Peak** Specifications may be subject to change **01/14/04**

**WORLD HQ: 1702H Meridian Ave. Suite 127, San Jose, Ca 95125, U.S.A.**

**Telephone: (408) 266-7404 FAX: (408) 266-4483**

**WEB: [www.raditek.com](http://www.raditek.com), E-mail: [sales@raditek.com](mailto:sales@raditek.com)**