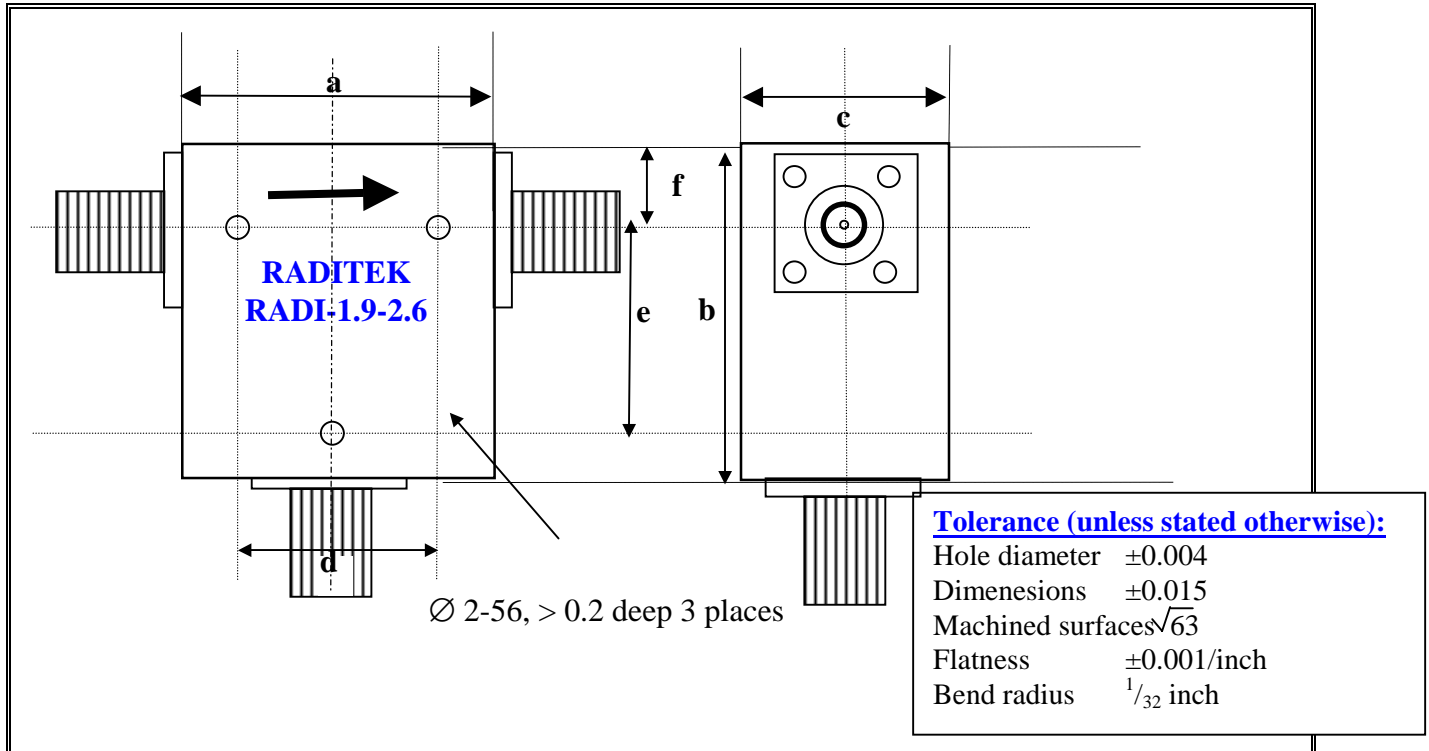


RADITEK

Isolators or Circulator Coaxial, SMA or N, 10W RADI-1.9-2.6-S3-10W or RADC-1.9-2.6-S23-50WR



a	b	c	d	e	f	unit
42	44	19.05	34.9	31.75	6.35	mm
1.65	1.73	0.75	1.374	1.25	0.25	ins

Not to scale.

Units: mm /ins

Specifications:	1.9.-2.6	GHz
Insertion loss	0.3	dB (maximum)
Isolation	20	dB (minimum)
Return Loss	19	dB (minimum)
Rated power (forward)	50	Watts (average)
Rated power (reverse) {power in load}	10	Watts (average)
Operating temperature	-20 to 60	°C

Connector options (X)				
		iso	circ	circ
Port 1	Port 2	iso	port 3 male	port 3 female
female	male	-1	-11	-21
male	female	-2	-12	-22
female	female	-3	-13	-23
male	male	-4	-14	-24