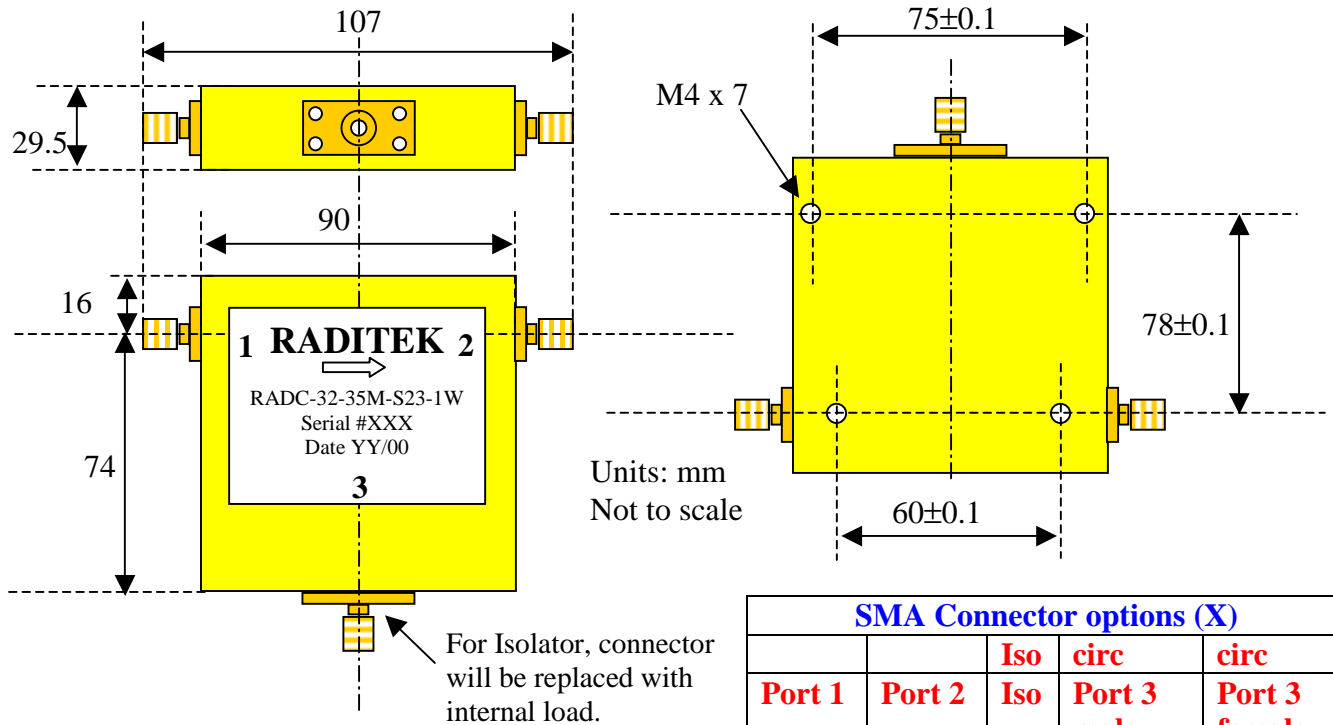


29-44MHz Isolators or Circulators, 2MHz Bandwidth Maximum SMA Connectors with 1 Watt Power Forward and Reverse **RADI-29-30M-S3-1WR or RADC-31-33M-S23-1WR**



Example Part Number:

Isolator: RADI-29-30M-S3-1WR

Circulator: RADC-31-33M-S23-1WR

SMA Connector options (X)				
		Iso	circ	circ
Port 1	Port 2	Iso	Port 3 male	Port 3 female
female	male	-1	-11	-21
male	female	-2	-12	-22
female	female	-3	-13	-23
male	male	-4	-14	-24

Specifications:

Frequency	29-44	MHz
Bandwidth	2	MHz max
Insertion loss	1.2	dB
Isolation	15	dB
VSWR	1.5:1	
Temperature Range	0 to +50	°C
Power	1	Watt (cw)
Connectors	SMA	