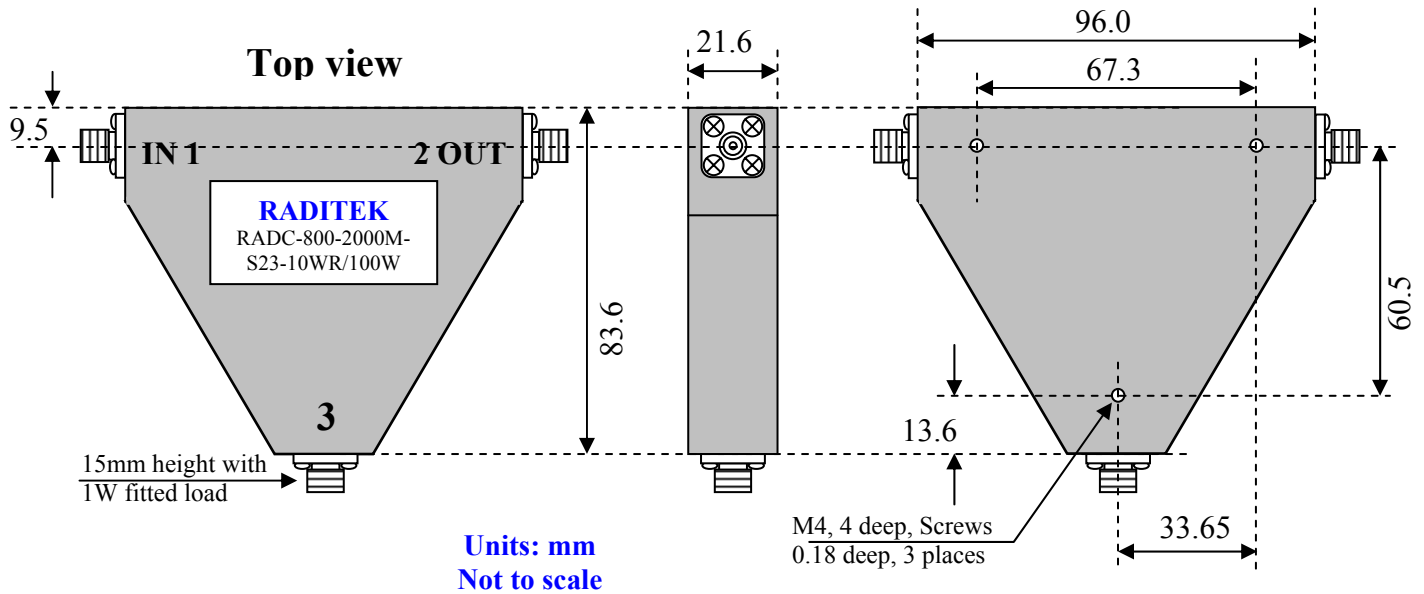


Coaxial Isolator or Circulator, 800-2000MHz SMA Connector

RADC-800-2000M-S23-10WR/100W - (10W Reverse/100W Forward)

RADI-800-2000M-S3-10WR/75W - (Reverse Power Options available: 1, 5, 10Watts Max)

Forward Power max (Pulse or Average): Circulator 100W or Isolator 75W



Order Examples: RADC-800-2000M-S23-10WR/100W
I=ISOLATOR / C=CIRCULATOR

Direction of RF:	
R	Default ►
L	◄



SMA Connector options (X)				
Isolator			Circulator	
Port 1	Port 2		Port 3 Male	Port 3 Female
Female	Male	-1	-11	-21
Male	Female	-2	-12	-22
Female	Female	-3	-13	-23
Male	Male	-4	-14	-24

Specifications: MHz	Insertion loss dB (max)	Isolation dB (min)	VSWR :1 (input and output)	Rated Power (Fwd) Watts (avg)	Rated Power (Rev) Watts (avg)	Operating Temp. °C (55°C Max)
Room Temp/ Over Temp	RT/OT	RT/OT	RT/OT			
800-2000 (C)	1.2	10	1.70	100	10	0~+50
800-2000 (I)	1.2	10	1.70	75	1,5,10	0~+50

At 0°C 800-850MHz Insertion loss is 1.6dB max 1.2dB typical

Additional Sub-Set Frequencies of 800-2000 MHz listed on page 2

Coaxial Isolator or Circulator, 800-2000MHz SMA Connector

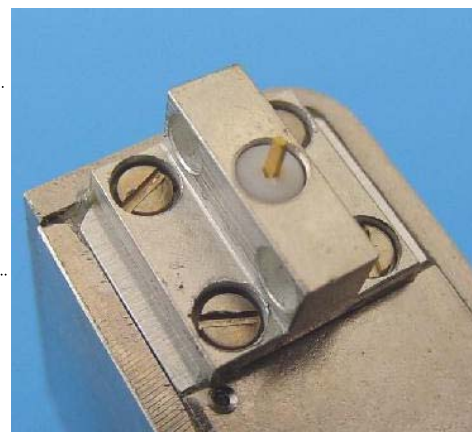
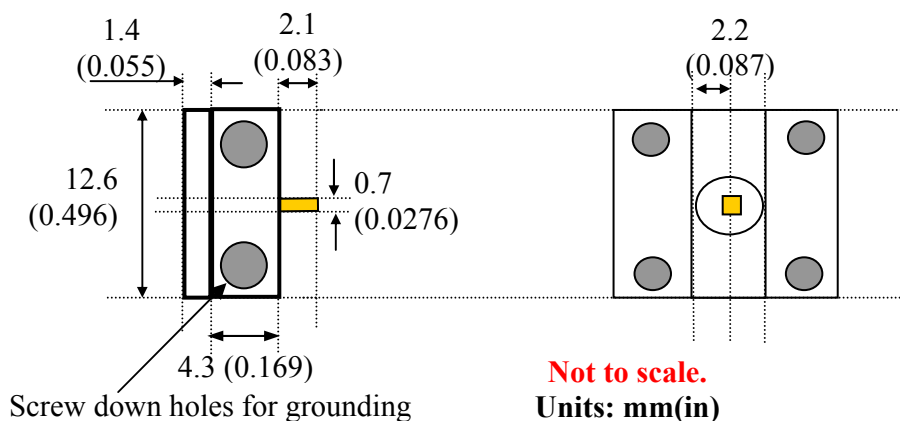
RADC-800-2000M-S23-10WR/100W - (10W Reverse/100W Forward)

RADI-800-2000M-S3-10WR/75W - (Reverse Power Options available: 1, 5, 10Watts Max)

Forward Power max (Pulse or Average): Circulator 100W or Isolator 75W

Specifications: MHz	Insertion loss dB (max)	Isolation dB (min)	VSWR :1 (input and output)	Rated Power (Fwd) Watts (avg)	Rated Power (Rev) Watts (avg)	Operating Temp°C (55°C Max)
Room Temp/ Over Temp	RT/OT	RT/OT	RT/OT			
-----Additional Sub-Set Frequencies of 800-2000 MHz-----						
800-2150	1.2	10	1.70	1	1	0~+50
869-1960	1.2	10	1.70	1	1	0~+50
900-1800	0.7	16	1.50	100	1	0~+50
960-2000	0.8	15	1.50	100	1,5,10	0~+50

B4 Connector Option to 3GHz



Alternative connector option (B4), so unit can be used as a "drop in." Note the screw down holes must clamp down on the grounding surfaces.