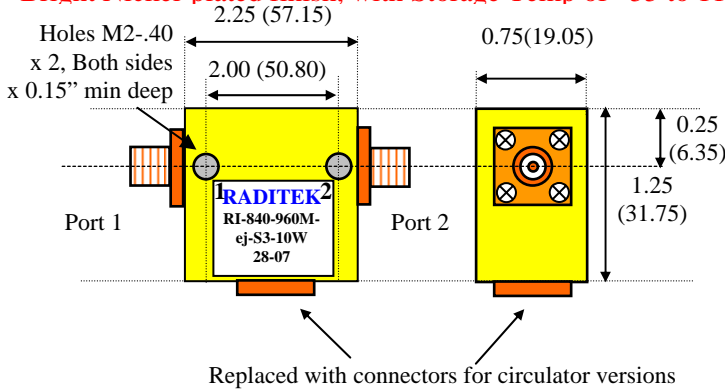


## RI-ej1 isolator 120W forward and 35W reverse power\* RC-ej1 circulator 120W forward and 120W reverse power

### 700MHz-2.5GHz, 10% Bandwidth, SMA or N-Type Connectors

**RADITEK** offers a full range of high performance isolators and circulators. Standard operating temperature is -40 to +85°C. Extended temperatures and power handling with various loads up to 35 Watts available. Ensure Load Flange is kept <85C

Bright Nickel-plated finish, with Storage Temp of -55 to 110°C



Units: Inch (mm)  
Tolerance:  
x.xx ±0.02  
x.xxx ±0.01  
Machined surfaces <sup>63</sup>√  
Bend radius 1/32 inch

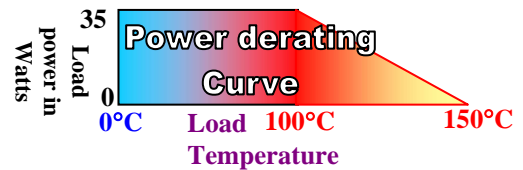
Most types and gender connectors are available.  
Standard circulation: In at 1, Out at 2 (-R), for In at 2, Out at 1 (-L).  
Not to scale. Units are in inches (mm).  
-U option for lowest IMD.

N / SMA Connector options (X)				
Isolator		Circulator		
Port 1	Port 2		Port 3 Male	Port 3 Female
Female	Male	-1	-11	-21
Male	Female	-2	-12	-22
Female	Female	-3	-13	-23
Male	Male	-4	-14	-24

Low IMD Models (we can measure)			
Frequency	Parameters	-H	-U
800-960M	Model 2X 50W tones 1MHz Apart	-70 dBc	-75 dBc
1.9-2.2G	Model 2X 30W tones 1MHz Apart	-70 dBc	-75 dBc

Direction of RF:	
R	Default
L	

Units: Inch (mm)  
Not to scale



Order Examples: RI-F1-F2M-ej1-SX-35WR  
I=ISOLATOR / C=CIRCULATOR

Frequency MHz	Ins. Loss	Isolation	VSWR Max.	Power Fwd.	Power Rev.	Notes
690-740	1.0	34.2	1.25:1	100W	35W	
725-775	0.8	36	1.25:1	100W	35W	
790-960	0.8	36	1.20:1	100W	35W	
824-894	0.8	41.4	1.19:1	100W	35W*	
869-894	0.6	45	1.15:1	100W	35W*	Cellular
900-960	0.8	36	1.20:1	100W	35W*	
1805-1880	0.6	41.4	1.15:1	100W	35W*	DCS
1930-1990	0.6	41.4	1.15:1	100W	35W*	PCS

RIorC-700-2500M-ej1-S(N)-35WR-sj Specifications may be subject to change

07/30/07

WORLD HQ: 1702L Meridian Ave. Suite 127, San Jose, Ca 95125, U.S.A.

Telephone: (408) 266-7404 FAX: (408) 266-4483

WEB: [www.raditek.com](http://www.raditek.com), E-mail: [sales@raditek.com](mailto:sales@raditek.com)

**RI-ej1 isolator 120W forward and 35W reverse power\*****RC-ej1 circulator 120W forward and 120W reverse power****700MHz-2.5GHz, 10% Bandwidth, SMA or N-Type Connectors**

<b>Frequency MHz</b>	<b>Ins. Loss</b>	<b>Isolation</b>	<b>VSWR Max.</b>	<b>Power Fwd.</b>	<b>Power Rev.</b>	<b>Notes</b>
2000-2200						
2110-2170	0.6	39.6	1.19:1	100W	35W*	
2300-2500	0.6	41.4	1.15:1	100W	35W*	

\*Load temperature to be kept below 85° C